



Speck Pumps – BadustreamII



Part Number

Description

JS443-9412T-1C0



BADUJET TURBO PRO 1,500 GPM SWIM JET SYSTEM complete with Badu Connect communications board and Stainless Steel cover. The BaduJet Turbo Pro is the ultimate in resistance swimming. An intuitive new design allows for a more than three-fold increase in flow over our standard swimjets. Combined with simple underwater push button controls and a quiet, efficient variable speed motor, The BaduJet Turbo Pro takes your swim to the next level.

SS484-2400M-1SW

Two BaduStream II Jets



complete with one Speck Pump Model 21-80/33, 4HP, 208-230 Volts, 19A, 400 GPM @ 14 PSI and control box. The most powerful single pump jet system available providing the recreational swimmer with an intermediate level of exercise

SS484-1400M-1SW

One BaduStream II Jet

complete with one Speck Pump Model 21-80/33, 4HP, 208-230 Volts, 18.5A, 270 GPM @ 18 PSI and control box. For swimmers who prefer the economy of single jet operation. Minimum of 4" plumbing required

SS484-3400M-1SW



Three BaduStream II Jets combined with two Speck Pump Model 21-80/33, 4HP, 208-230 Volts, 19A (each), 700 GPM @ 15 PSI and control box. The most powerful dual pump jet system available providing maximum resistance for the recreational swimmer.

JS421-5411F-100

BaduJet Imperial Swim System, 2 Jet 4HP

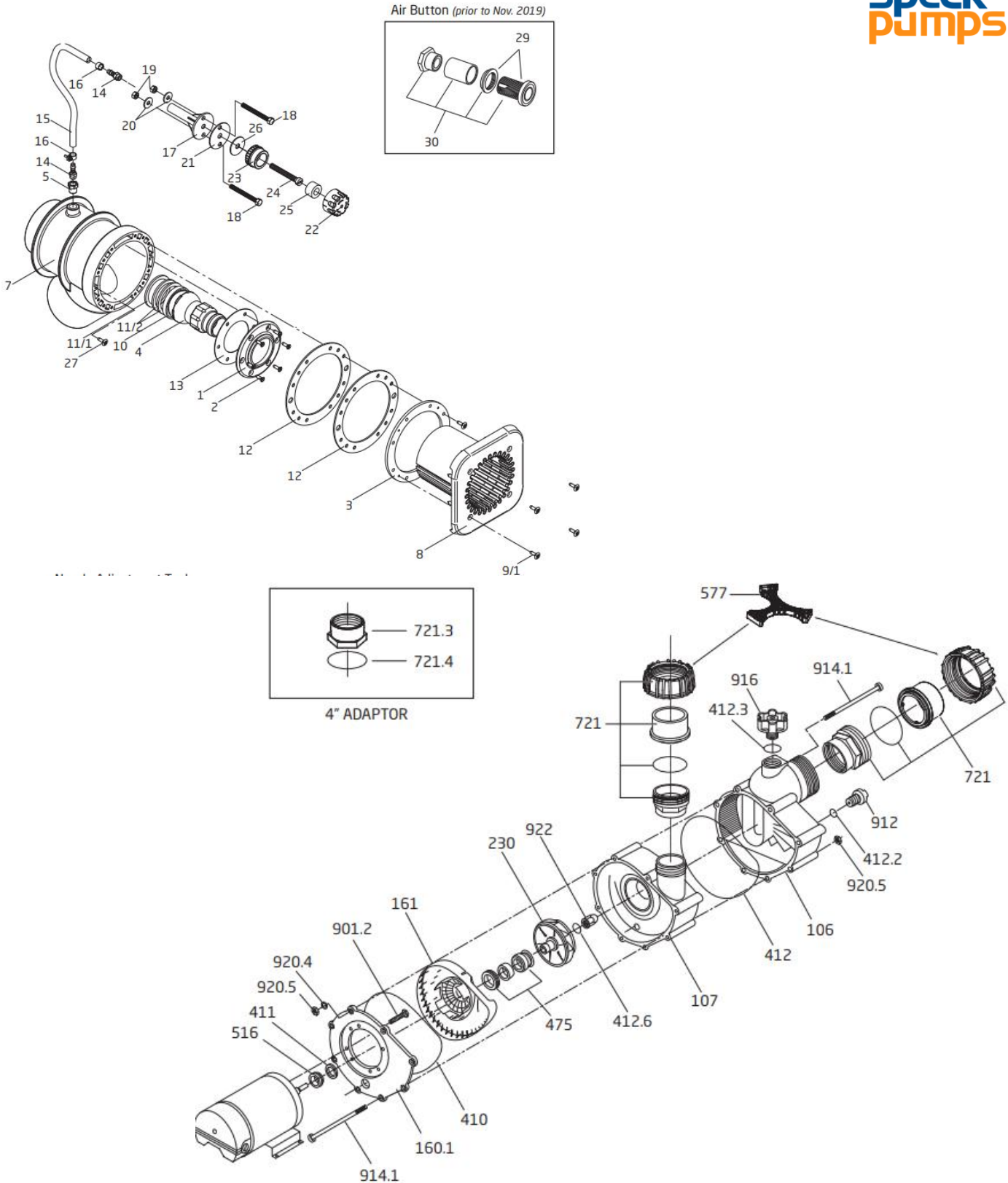
With Blue Led light, control box

Wi-Fi enabled





Speck Pumps – Badustream Parts





Speck Pumps - BadustreamII-Jet parts



<u>Part Number</u>	<u>Description</u>
2301001006	Y-SOCKET
2308002005	COVER PLATE - GUNITE BS
2308752006K	KIT - WINTER COVER - one per jet
2306002009	Drawing #1 FACE RING COVER
5879006020	Drawing#2 Face Ring SCREW K60 X 20mm
2308762004	Drawing#3 CLAMPING RINGS WITH INSERTS
2302002854	Drawing #4 NOZZLE 40MM ADJUSTABLE
2308761001	Drawing#7 HOUSING - BADUSTREAM II
2308750003	Drawing#8 SQUARE COVER - WHITE
2308750003B	Drawing #8 SQUARE COVER - BLACK
2308760004B	Drawing #8 ROUND COVER - BLACK
2308760004G	Drawing #8 ROUND COVER - GREY
5879650625	Drawing#8 SCREW M6 X 25 SS A4
5879650640	Drawing#8 SCREW M6 X 40 A4 PH FLT
2302002056	Drawing#10 SEAT-PLASTIC/POM
2302002057	Drawing #11/1 SPACER RUBBER 6.2mm
2302002157	Drawing #11/2 SPACER RUBBER 4mm
2308750005	Drawing#12 GASKET- 190 MM EPDM
2308750006	Drawing#12 BUTTERFLY GASKET
2306002013	Drawing #13 FACE RING GASKET
2301001005	Drawing#14 SOCKET-HOSE 1/4" PP
2301001007	Drawing#15 HOSE
2301001008	Drawing#16 HOSE CLAMP S14/9 A4 SS
2301001009	Drawing#17 HOLDER-AIR REGULATOR
2301001013	Drawing#21 GASKET
2301002000	Drawing# (22-26) AIR REGULATOR ASSY
2301002021	Drawing#22 AIR REGULATOR TOP-WHITE
2301002029	Drawing#22 AIR REGULATOR TOP - BLACK
2301002022	Drawing#23 AIR REG. BOTTOM - WHITE
2301002028	Drawing#23 AIR REG. BOTTOM - BLACK
7400000026	Drawing#29 AIR BUTTON #10 WHITE



Speck Pumps – BadustreamII Pump parts



<u>Part Number</u>	<u>Description</u>
0817370201	MOTOR 4HP SF1.25 56PSC 208-230
0818102500	MOTOR 4HP SF1.25 56 230/460 3P
2088332025	21-80/33GS 4HP SF1.25 PUMP
2902041252	O-RING- FOR 4" PUMP UNION
2920280701	CONTROL BOX BJC-7
2920280712	CONTROL BOX BJC-7-P2
2923210620	Drawing#106 SUCTION HOUSING 21-80
2923210722	Drawing#107 DISCHARGE HSN. 21-80
2923116100	Drawing#161 HOUSING-SEAL 21-80
2923141010	Drawing#410 GASKET-SEAL HOUSING
2923141240	Drawing#411 SHAFT WASHER 14/22
2920343310	Drawing#475 SEAL-MECHANICAL 20mm
2923151601	Drawing#516 V-RING 18MM
2500200900	Drawing #721 ½ UNION PKG
2923190120	Drawing#901.2 SCREW
2923591200	Drawing#912 PLUG 1/4" 21-80 GS & BS
2922091600	Drawing#916 FILLER PLUG RED 3/4"
2923116010	Drawing#160.1 ALUMINUM FLANGE
2923223013	Drawing#230.6 IMPELLER 3HP SF 1.15
2923223014	Drawing#230.7 IMPELLER 4HP SF 1.25
2923223035	Drawing#230.8 IMPELLER 6 HP SF 1.0
2923541220	Drawing#412.2 O-RING- 12 x 2.5 mm
2923241231	Drawing#412.3 O-RING- 24 x 3.5 mm
2923541229	Drawing#412.6 O-RING 16.9 x 2.75 VITON
2500223433	Drawing#721.3 ADAPTOR- 2-3/4 x 3" NPT 4"OD unique to 21-80/GS prior to March 2008
2923241200	Drawing#912 O-RING- 210 x 4 mm
2923291000	Drawing#914.1 BOLT M6 X 170MM SS
2991400024	Drawing#920.4 WASHER-FLAT 1/4" USS
2923592200	Drawing#922 IMPELLER NUT-M12 CAP



Pentair – Chemical Dispensers



<u>Part Number</u>	<u>Description</u>
R171074	Dispenser Blue/White
R171090	Dispenser Beige/White
R171074A	Dispenser Blue/White with custom imprinting
R171090A	Dispenser Beige/White with custom imprinting



R171086	Floating Chlorine Dispenser
---------	-----------------------------



Custom Molded Products – Chemical Dispensers



<u>Part Number</u>	<u>Description</u>
27051.00900	Floating Dispenser Grey/White
27052-039	Bottom Load Floating Dispenser Grey/White





Chemical Controllers



Cat 2000 Professional



Cat 4000 Standard



NEW!

MODEL 555XP READY-TO-MOUNT SYSTEMS

ALL COMPONENTS REQUIRED FOR POOL AUTOMATION MOUNTED ON A POLYPROPYLENE BOARD



Stenner Pumps – Peristaltic Pumps

STENNER PUMPS®



<u>Part Number</u>	<u>Description</u>
45MP5	50 GPD 110v Foot valve & Tubing included
45M5	50 GPD 110v Foot valve & Tubing included Adjustable output

Rola-Chem – Peristaltic Pumps



MODEL SHOWN:
RC305MC
 P/N 543818
 UPC 7-57706 00038-3

* Mounting patterns and many parts interchange with legacy Pro Series models.

<u>Part Number</u>	<u>Description</u>
543819	38gpd peristaltic pump

ORP and PH Probes



<p>550135 8' pH Heavy-Duty Probe</p> <p>550208 3' pH Heavy-Duty Probe</p>	<p>550136 8' ORP Heavy-Duty Probe</p> <p>550209 3' ORP Heavy-Duty Probe</p>
---	---

• For Digital & Analog Controller System



Custom Molded Products – Chlorinator



Part Number

Description

25280-100-000

Power Clean Ultra In-Line Chlorinator

Features:

- Holds (12) 3" tablets or 5lbs of 1" tablets
- Designed to treat pools from 5,000 to 50,000 gallons
- Clear Tempered Glass lid for easy serviceability
- 2" unions for quick-disconnect
- Superior dial with 100% shut-off
- Built in flow indicator for easy adjustment
- No external hoses
- All piping is inside unit to eliminate leaks
- Drain Plug on bottom

Pentair – Chlorinator



Part Number

Description

R171016

300 Chlorinator

R171070

300-29X Chlorinator

R171096

320 IN LINE Chlorinator



R171215

HC 3315 CHLOR/BROM CHEM FEEDER

R171230

HC 3330 CHLOR/BROM CHEM FEEDER



Watermaid – Salt Chlorine Generator



Part Number **Description**

WM SALT	SALT CHLORINATOR 240V
WM10LED	SALT CHLORINATOR 120V
WM300	SALT CELL



EcoBlend®





Praher Plastics – Pipe Clamps



<u>Part Number</u>	<u>Description</u>
PP-038	3/8" PP PIPE CLAMP - GREY qty 1-999
PP-050	1/2" PP PIPE CLAMP - GREY qty 1-999
PP-075	3/4" PP PIPE CLAMP - GREY qty 1-999
PP-100	1" PP PIPE CLAMP - GREY qty 1-999
PP-125	1 1/4" PP PIPE CLAMP - GREY qty 1-999
PP-150	1 1/2" PP PIPE CLAMP - GREY qty 1-999
PP-200	2" PP PIPE CLAMP - GREY qty 1-999
PP-250	2 1/2" PP PIPE CLAMP - GREY qty 1-999
PP-300	3" PP PIPE CLAMP - GREY qty 1-999



SIZE	DIAMETER RANGE (mm)
3/8"	17-19 mm
1/2"	20-23 mm
3/4"	25-28 mm
1"	31-35 mm
1-1/4"	39-43 mm
1-1/2"	47-51 mm
2"	60-65 mm
2-1/2"	72-77 mm
3"	88-92 mm



Oetiker – Pipe Clamps



Connecting Technology

	<u>Part Number</u>	<u>Description</u>
	17400047	9mm Stepless SS Spring Element
	17400060	9mm Stainless band (10-meter roll)
	17400153	9mm Ear Element Stainless
	10500329	28.6mm 1 Ear Clamp w/interlock Galv/Zinc
	10500339	15.7mm 1 Ear Clamp w/interlock Galv/Zinc
	15300030	17.5R 1-ear SS clamp
	15500000	8.9x10.5mm 1-ear SS clamp
	15500003	11.4-13.3mm 1-ear SS clamp (1/2")
	15500007	12.6-14.5mm 1-ear SS clamp for 3/8x1/2 Vinyl
	15500008	1-ear SS clamp for 3/8" x 1/2" Vinyl Tubing
	15500009	15.1-17.0mm 1-ear SS clamp
	15500010	15.7x18.5mm 1-ear SS clamp
	15500011	17.0-19.8mm 1-ear SS clamp
	15500012	210R 1-ear SS clamp
	15500013	19.8-22.6mm 1-ear SS clamp
	15500015	256R 22.8mm - 25.6mm 1-ear SS clamp
	15500017	25.5-28.6mm 1-ear SS clamp for 3/4x1 Vinyl
	15500018	27.0-30.1mm 1-ear SS clamp for 3/4x1 Vinyl
	16700006	8.8-10.5mm 1-ear stepless SS Clamp
	16700008	10.1-11.8mm 1-ear stepless SS Clamp
	16700016	13.2-15.7mm 1-ear stepless SS Clamp
	16700017	14.5-17.0mm 1-ear stepless SS Clamp
	16700020	15.3-18.5mm 1-ear stepless SS Clamp
	16700024	17.8-21.0mm 1-ear stepless SS Clamp
	16700026	19.4-22.6mm 1-ear stepless SS Clamp
	16700029	20.9-24.1mm 1-ear stepless SS Clamp
	16700033	23.9-27.1mm 1-ear stepless SS Clamp
	15100011	19.0-22.0mm 2-ear Oetiker SS Clamp
	15100013	22.0-25.0mm 2-ear Oetiker SS Clamp
	17400001	9mm Screw Element
	17700049	8-16 mm non-perf. worm gear SS clamp
	17700051	16-27mm non-perf. worm gear SS clamp
	17700052	20-32 mm non-perf. worm gear SS clamp
	17700175	1-3/16 - 1-3/4 non-perf. worm gear SS clamp
	17700176	1-1/4 - 2" non-perf. worm gear SS clamp
	17700177	1-5/8 - 2-3/8 non-perf. worm gear SS clamp

All sizes available

Volume quotations available



Oetiker – Pipe Clamps



Connecting Technology



<u>Part Number</u>	<u>Description</u>
17700179	2-3/8 - 3-1/8 non-perforated worm gear SS
17700180	2-3/4 - 3-1/2" non-perforated worm gear SS
17700182	3-1/2 - 4-3/8" non-perforated worm gear SS
17700367	1/4" x 5/8" non-perforated worm gear SS
17700378	1-1/2" - 2-1/2" non-perforated worm gear SS
17800172	23-28mm Stepless self-tensioning SS spring
17800175	31-36mm Stepless self-tensioning SS spring
17800177	38.5-45mm Stepless self-tensioning SS spring
17800179	48.5-55mm Stepless self-tensioning SS spring

All sizes available
Volume quotations available



<u>Part Number</u>	<u>Description</u>
14100396	Pincers
14100496	HIP2000 496 Compound Pincers STD jaw
14100498	HIP2000 498 Compound Pincers SIDE jaw





Custom Molded Products – Frame and Grate



VGB APPROVED

<u>Part Number</u>	<u>Description</u>
25508-090-000L	9"x9" FRAME AND GRATE
25508-120-000L	12"x12" FRAME AND GRATE - WHITE
25508-121-000L	12"x12" FRAME AND GRATE - GREY

Praher Plastics – Frame and Grate



VGB APPROVED

<u>Part Number</u>	<u>Description</u>
FG10-VG	10" x 10" ABS FRAME & GRATE

**Part Number**

PF4VSF
PF6VSF
PF10FLG

Description

Van Stone Flange SCH80, 4"
Van Stone Flange SCH80, 6"
Van Stone Flange SCH80, 10"

LASCO[®]
Fittings, Inc.



IPEX

Custom Molded Products – Water Stops

**Part Number**

25574-100-000
25574-000-000
25575-000-000
25575-250-000
25575-300-000

Description

Water Stop, 1"
Water Stop, 1-1/2"
Water Stop, 2"
Water Stop, 2-1/2"
Water Stop, 3"

Oatey – Glue and Primer

**Part Number**

2336S
2356S
2946S

30875
8846S

Description

PVC CMT Pool/Spa Blue Glue QT
PVC Cement Pool/Spa Blue 1/2 pint
Medium Bodied Clear cement for PVC pipe,
Flex PVC sch 40 and sch 80
PVC Cement Flex/Rigid Clear 1/4 pint
PVC Primer purple 1 pt.



Pentair – Maintenance Products



Part Number

Description

R111316 #902 WALL BRUSH BULK
 R111342 #905-24" Commercial Metal Backed Brush
 R111366 #912 Brush
 R111386 #912 Vinyl Liner BRUSH
 R111616 #604A-6" Algae Brush

R221036 #145 POLE HANGERS
 R221042 #143 POLE HANGERS METAL
 R221046 #165 ABS Hose Hangars
 R221054 #167 HOSE POLE ACC. HANGERS

R121106 #122 Leaf Rake
 R121230 #117 Proleaf Rake
 R121232 #117R Replacement frame

R211084 #186A LEAF TRAP 1-1/2" Mesh Bag
 R211086 #186B LEAF TRAP 2" Mesh Bag

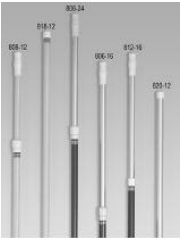
R191092 #808-16 Fiberglass 8'-16' telescopic
 R191095 #818-12 Straight 12' Fiberglass Pole
 R191101 #812-22 12-22' Fiberglass Pole
 R191106 12' Anodized Aluminum pole
 R191116 16' Anodized Aluminum pole
 R191306 #806-16 EZ Lock Poles 8'-16'
 R221026 #153 SAFETY POLE HOOK

R121026 #119 SKIMMER
 R121166 #124S SKIMMER
 R121196 #126 Heavy Duty Skimmer
 R121216 #126R REPLACEMENT NET

R151076A "2 n 1" Test Kit 1/2 oz. OTO and Pre-Blended pH - Imprinted with your company Name, Website Logo etc

R151186 #78HR All-in-One
 R151186A #78 HI RANGE All-in-One Test Kit - Imprinted with your company Name, Website Logo

R151248 #78 DPD PLUS All in one
 R151716 #PR0-11 MINI LAB TEST KIT
 R161004 Solution OTO 1/2 oz
 R161018 PH SOLUTION 1/2 OZ





Pentair – Maintenance Products



Part Number

Description

R161025 OTO Solution 1 Cl/Br Test 1 oz
 R161150 1/2 oz OTO/pH Bubble Pack
 R161182 SOLUTION #3 1 oz
 R161203 SOLUTION 5 1/2 oz
 R161204 SOLUTION 4 1/2oz

R161593 TABLETS DPD #1 Blister Packed
 R161599 TABLETS DPD #3 Blister Packed

R161626 CYANURIC ACID 1 gallon
 R161676 TABLETS CYANURIC Blister Packed



R141036 #127 Tube Thermometer
 R141076 #130 Chrome Thermometer
 R141200 #136 COMBO Thermometer
 R141260A #136 EZ READ THERMOMETER - Imprinted with your company Name, Website Logo etc

R201388 #203 VAC CLAMSHELL PKGD
 R201146 #204 (Box) Minivac



R201276 PROVAC MODEL 214-14"
 R201286 PROVAC MODEL 222-22"
 R201296 PROVAC MODEL 229-29"
 R201126 #250 COMMERCIAL Vac Head
 R201112 #188 Flex Vac Clamshell packaged



R201408 Metal Snap-adapt steerable vacuum handle
 R201420 Plastic vac head handle #152
 R201456 Axle Assy #178 Bulk for Vac Head
 R201472 Axle Assy #176 for Vac Head Blister Pack
 R201476 Plastic vac head handle
 R201498 WHEELS #176 (4) & #174 (4)
 R201500 4 ea. #177,263,264,266,267 BP
 R201556 #170 DELRIN SPRING CLIP 24 PK
 R201566 #258 Swivel Adapter for Provac series - bulk



Praher Plastics - Multiport Valve Cross Reference



TANK MFG	TANK	STYLE	VALVE	PRAHER PART #
PENTAIR	TA-series prior 1991	screw on	261124	TM-12-A
	TA30,35,40,50,60	screw on	262502	TM-12-PB
	TA35D,40D,50D,60D	clamp on	262506	TM-12-CFC*
	TA100, TA100D	top mount	261185	TM-22-PB
		clamp on	261186	TM-12-LPB
		clamp on	14971-TM-22-L	TM-22-L
	TR40, 50, 60	side mount	261173	SM1-PP3
	TR-100, 140, 100C, 140C	side mount	261055	SM2-PP3
	NS-24, 36, FNS-24, 36	side mount	261177	SM1-PP2
	NS-48,60,72, FNS-60,72	side mount	261152	SM2-PP2
	TR 140C-3	Flanged		SM3-PP3TRC
			261138	SM-20-2
STA-RITE	*TM-12-CFC has different port configuration than OEM valve			
	Cristal-Flo	clamp on	WC112-148A	TM-12-L
	Panterra	8-bolt flange	14962-0105	TM-12-E
	Panterra		24201-P17,	TM-12-L
			24203-P20,	TM-12-L
			24204-P24	TM-12-L
	Sable		24201-S075, S100	TM-12-L
			24203-S075, S100, S150	TM-12-L
	Waterford sys.	clamp on	JSAL-01/03	TM-12-L
		clamp on	JSAL-02-04	TM-12-L
	Panterra 24204-P242		14971-TM22L	TM-22-L
	S8D110, S7D75,		18201-0200,	SM2-SR2
	S7S50	side mount	WC212-150PN	SM2-SR2
			18201-0200H	SM2-SR2H
	S8S70 (systems 3 DE, sand)		18202-0200H	SM2-SR2
	S7MD60, S7MD72	side mount	WC212-138B	SM2-SR2
	HRPB (sand filter)	side mount		SM2-SR2
	S7MD60, S7MD72 (systems 3	side mount		SM2-SR2
	DE), PLDE36, PLDE46 (DE)	side mount	18201-300	SM2-SR3U
	AMERICAN	22" Eclipse, Meteor	clamp on	501131
26", 30" Eclipse		clamp on	501130	TM-12-S8
30" Eclipse		clamp on	501231	TM-22-S8



HAYWARD	GM-140, 142, 152	clamp on	SP0711-13	TM-12-H8
	S140T,S144T,164T,166T,			TM-12-H8
	S180T,S190T,210T,220T,			TM-12-H8
	230T,244T,245T,270T	clamp on	SP0714T	TM-12-H8
		thread on	SP07122	TM-12-A
	S160T	thread on	SP07121	TM-12-B
	S310T, S360T	clamp on	SP071621	TM-22-H8
	S270T2, S310T2,			TM-22-H8
	S360T2	clamp on	SP071620T	TM-22-H8
	S311SX, S311SXV,	1.5" sidemount	SP0710X62	SM1-HPX62
	S360SX	2" side mount	SP0715X62	SM2-HPX62
	S210S, S244S,	1.5" side mount	SP0710X62	SM1-HPX62
	S310S	2" side mount	SP0715X62	SM2-HPX62
		2" side mount	SP0715XR50	SM2-HPXR50S
		2" side mount	SPX0715X32	SM2-HP3
S200, 240	1.5" side mount	SPX0710X32	SM1-HP3	
ZODIAC	DEL48, DEL60, DEL100	2" side mount	BWVL-MPV	SM2-PP2JY
				SM2-PP2WPC
JANDY	ST24-T, ST18-T	thread on	A0102200	TM-12-B
	SF30-T, 32-T, 36T	12 bolts	A0102300	TM-22-LA
JACUZZI	SPLASH-prv. label	clamp on	Splash	TM-12-H8
	Laser.ST24	6 bolts	DVK-4, 6	TM-12-JL
	Laser II	clamp on	DKV-7	TM-12-H8
	Sand storm 31	clamp on	DVK-C7	TM-22-H8
	ST-27, ST-33	thread on	2VK27-33	TM-22-JAC
	30RMT,36FP, 42SP,48SP	8 bolts	42-1693-80	TM-22-E
CARVIN		Top Mount	39251217	TM-22-H8
WATERCO	T450, 500, 600	thread on	228042	TM-12-B64
		12 bolts		TM-22-LA
				TM-12-SWC
BAKER HYDRO	W3 909, 910, 922	screw on		TM-12-B
	Baker II	clamp on	30B0056	TM-12-9BH



Praher Plastics – Side Mount Multiport Valve



<u>Part Number</u>	<u>Description</u>
SM-10-2	1 1/2" PIPING VAR. 2 (FIP)
SM-10-3	1 1/2" PIPING VAR. 3(FIP)
SM-10-A0	1 1/2" ALL PORTS OPEN 1.5" FIP
SM-10-AOS	1 1/2" ALL PORTS OPEN (SOCKET)
SM1-HP2	SM-10-2 w HAYWARD PLUMBING (5" CENTER) 1.5" FIP
SM1-HP3	SM-10-3 w HAYWARD PLUMBING (5" CENTER) 1.5" FIP
SM1-HPX62	SM-10-3 w HAYWARD PLUMBING F.PRO SERIES (6" CENTER) 1.5" FIP
SM1-PP2	SM-10-2 w PAC FAB PLUMBING 1.5" FIP
SM1-PP21	SM-10-2 w PAC FAB PLUMBING 1/5" FIP-FNS 4800
SM1-PP3	SM-10-3 w PAC FAB PLUMBING 1.5" FIP
SM-20-2	2" PIPING VAR. 2 (FIP)
SM-20-3	2" PIPING VAR. 3 (FIP)
SM-20-AO	2" ALL PORTS OPEN 2" FIP
SM-20-AOS	2" ALL PORTS OPEN (SOCKET)
SM2-HPX62	SM-20-3 w HAYWARD PLUMBING (5" CENTER) 2" FIP PRO SERIES 6" CNTR
SM2-HPXR50	SM-20-2 w HAYWARD PLUMBING (5" CENTER) 2" FIP
SM2-HPXR50S	SM-20-2 w HAYWARD PLUMBING (5" CENTER) 2" SKT
SM2-PP2	SM-20-2 w PAC FAB PLUMBING 2" FIP
SM2-PP3	SM-20-3 w PAC FAB PLUMBING 2" FIP
SM2-SR2	SM-20-2 w STA-RITE PLUMBING - 2" FIP BLACK
SM2-SR3U	SM-20-3 w STA RITE PLUMBING 2"FIP BLACK (DE)
SM-30-AOB	ALL PORTS OPEN-Black 3-inch SLIP ONLY
SM3-PP3TRC3	ABS S.M. MPV FITS PENTAIR TR-100 C-3, TR-140 C-3, COM. SAND FILTER
UNK-1HAY	1 1/2" SPIGOT HALF UNION c/w O-RING
UNK-1TRITON	1 1/2" SPIGOT HALF UNION c/w O-RING
UNK-2HAY	2" SPIGOT HALF UNION c/w O-RING
UNK-2SR	2" SPIGOT HALF UNION c/w O-RING MACHINED 2"
UNK-2TRITON	2" SPIGOT HALF UNION c/w O-RING



Fits Pentair TR-100 C-3 & TR-140 C-3



Praher Plastics – Top Mount Multiport Valve



<u>Part Number</u>	<u>Description</u>
12L-CLP	1-1/2" CLAMP RING c/w HARDWARE
TM-12-9BH	1 1/2" w 9" CLAMP FLANGE
TM-12-A	1 1/2" w 6" UNC THREAD
TM-12-B	1 1/2" w 6" BUTTRESS THREAD
TM-12-CFC	1 1/2" w 6.5" CLAMP FLANGE
TM-12-E	1 1/2" w BOLT DOWN 8 BOLTS
TM-12-H8	1 1/2" w 8" CLAMP FLANGE
TM-12-JL	1 1/2" w 6 BOLT DOWN LASER FILTER
TM-12-L	1 1/2" w 8.25" CLAMP FLANGE
TM-12-PB	1 1/2" w 5.98" BUTTRESS THREAD
TM-12-S	1 1/2" w 7.5" CLAMP FLANGE
TM-12-S8	1 1/2" w 8.22" CLAMP FLANGE
TM-22-E	2" w BOLT DOWN 8 BOLTS
TM-22-H8	2" w 8" CLAMP FLANGE
TM-22-JAC	2" w 7 1/16" BUTTRESS THREAD
TM-22-L	2" w 8.22" CLAMP FLANGE
TM-22-PA	2" w 8.22" CLAMP FLANGE
TM-22-PB	2" w 8.22" CLAMP FLANGE
39251217	2" w 8" CLAMP FLANGE

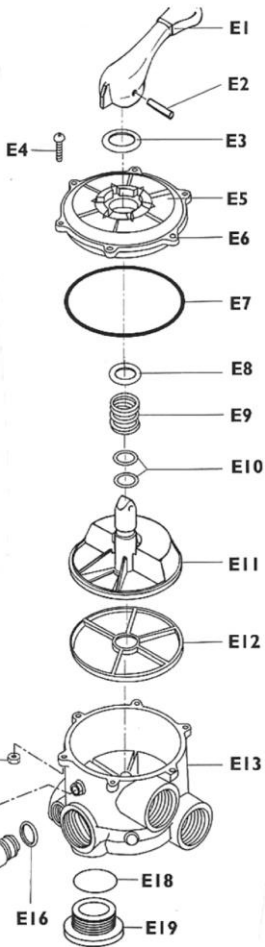




Praher Plastics – Multiport Valve– Parts



Side Mount Multiport Valve

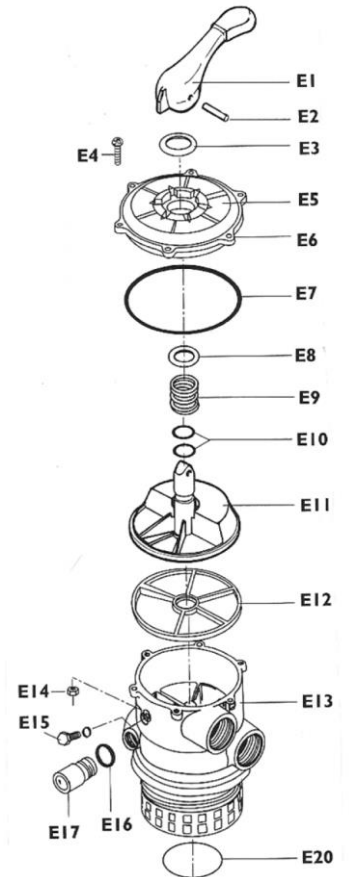


Part Number

Description

TM-12-KIT	Gasket and washer rebuild kit for TM-12 1-1/2" Multiport Valves
TM-22-KIT	Gasket and washer rebuild kit for TM-22 or SM-22 2" Multiport Valves
E-1-S1	HANDLE ABS BLACK FOR 1 1/2" & 2"
E-1-S3	HANDLE ABS BLACK FOR 3"
E-2-S1	PIN (SS 304) FOR 1 1/2" & 2"
E-2-S3	PIN (SS 304) FOR 3 inch
E-3-S1	WASHER (POM) FOR 1 1/2" & 2"
14426407	E3 WASHER
E-3-S3	WASHER (POM) FOR 3 inch
E-4-S1	SCREW M6 (SS 304) FOR ALL
E-5-S1	DECAL FOR 1 1/2" Side Mount
E-5-S2	DECAL FOR 2" Side Mount
E-5-S3	DECAL FOR 3 inch
E-5-T1	DECAL FOR 1 1/2" Top Mount
E-5-T2	DECAL FOR 2" Top Mount
E-6-S1	COVER ABS (WHITE) FOR 1 1/2"
E6-S1B	COVER ABS (BLACK) FOR 1 1/2"
E-6-S2	COVER ABS (WHITE) FOR 2"
E-6-S2B	COVER ABS (BLACK) FOR 2"
E-6-S3	COVER ABS (WHITE) FOR 3 inch
E-7-S1	#252 O-RING - COVER OF 1 1/2"
E-7-S2	#172X4 O-RING - COVER OF 2"
E-7-S3	#250X6 O-RING - COVER OF 3 inch
E-8-S1	WASHER (POM) FOR 1 1/2" & 2"
E-8-S3	WASHER (POM) FOR 3 inch
14426407R	NYLON WASHER 2" MPV
14426605	E-8 NYLON WASHER
E-9-S1	SPRING (SS 304) FOR 1 1/2" & 2"
E-9-S3	SPRING (SS 304) FOR 3 inch
16109209	SPRING 1.5" & 2"
E-10-S1	#212 O-RING FOR DIVERTER ON 1 1/2" & 2"
E-10-S3	#215 O-RING FOR DIVERTER ON 3 inch
E-11-S1	DIVERTER (NORYL) FOR 1 1/2"
E-11-S2	DIVERTER (NORYL) FOR 2"
140-561	DIVERTER (NORYL) FOR 3" w/molded gasket
E-12-S1	SPIDER GASKET FOR 1 1/2"
E-12-S2	SPIDER GASKET FOR 2"
E-12-S3	SPIDER GASKET FOR 3 inch
13107404	2" SPIDER GASKET

Top Mount Multiport Valve



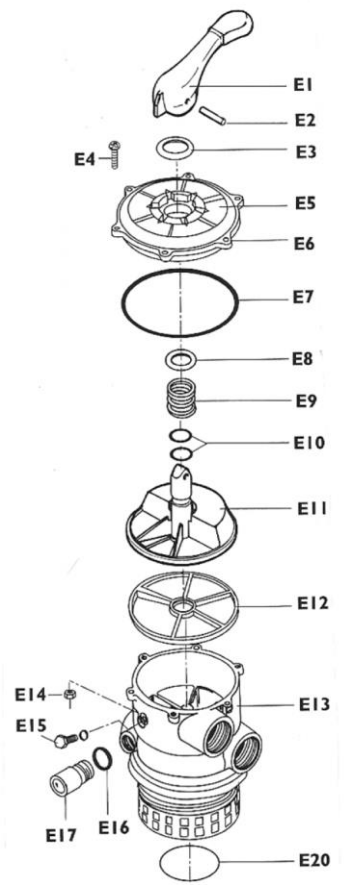


Praher Plastics – Multiport Valve– Parts



	<u>Part Number</u>	<u>Description</u>
Side Mount Multiport Valve	E-13-S1	VALVE BODY 1 1/2" NPT (SM-10-AO)
	E-13-S2	VALVE BODY 2" NPT (SM-20-AO IN WHITE)
	E-13-S2B	VALVE BODY 2" NPT (SM-20-AO IN BLACK)
	E-14-S1	NUT M6 (SS 304)
	E-15-S1	1/4" ABS PLUG (WHITE)
	E-16-S1	SIGHT GLASS GASKET
	E-17-S1	SIGHT GLASS (LEXAN)
	E-18-256	#256 O-RING TM-12-A & TM-12-B
	E-18-442	#442 O-RING TM-12-L AND TM-22-L
	E-20-T1	#225 O-RING FOR STANDPIPE ON 1 1/2"
	E-20-T2	#229 O-RING FOR STANDPIPE ON 2"
	E-50-S1	KEY Assy. IN WHITE FOR 1 1/2"
	E-50-S1B	KEY Assy. IN BLACK FOR 1 1/2"
	E-50-S2	KEY Assy. IN WHITE FOR 2"
	E-50-S2B	KEY Assy. IN BLACK FOR 2"
	E-50-S3	KEY Assy. IN WHITE FOR 3 inch
	E-55-S1HP2	BODY Assy. FOR SM1-HP2 IN WHITE
	E-55-S1HP3	BODY Assy. FOR SM1-HP3 IN WHITE
	E-55-S1PP2	BODY Assy. FOR SM1-PP2 IN WHITE
	E-55-S1PP3	BODY Assy. FOR SM1-PP3 IN WHITE
	E-55-S2PP2	BODY Assy. FOR SM2-PP2 IN WHITE
	E-55-S2PP3	BODY Assy. FOR SM2-PP3 IN WHITE
	E-55-SR2	BODY Assy. FOR SM2-SR2 IN BLACK
	E-55-T12A	BODY Assy. FOR TM-12-A - WHITE
	E-55-T12B	BODY Assy. FOR TM-12-B - BLACK
	E-55-T12BH9	BODY Assy. FOR TM-12-BH9 - BLACK
	E-55-T12CFC	BODY Assy. TM-12-CFC - BLACK
	E-55-T12E	BODY Assy. FOR TM-12-E - BLACK
	E-55-T12H8	BODY Assy. FOR TM-12-H8 - BLACK
	E-55-T12L	BODY Assy. FOR TM-12-L - BLACK
	E-55-T12S	BODY Assy. FOR TM-12-S - BLACK
	E-55-T12S8	BODY Assy. FOR TM-12-S8 - BLACK
E-55-T22E	BODY Assy. TM-22-E - BLACK	
E-55-T22JAC	BODY Assy. TM-22-JAC - BLACK	
E-55-T22L	BODY Assy. TM-22-L - BLACK	
E-55-T22PA	BODY Assy. TM-22-PA - BLACK	
E-55-T22PB	BODY Assy. TM-22-PB - BLACK	

Top Mount Multiport Valve





Ultrapure – Ozone Generators



<u>Part Number</u>	<u>Description</u>
1003000	UPAG20 AG pool unit 120V/60Hz 20,000 gal
1003100	UPP15 120V/60Hz SSPP & ESABK
1003120	UPP15 240V/60Hz SSPP & ESABK
1004100	UPAG33 AG pool unit 120V/60Hz 33,000 gal
1004120	UPP25 240V/60Hz SSPP & ESABK
1006125	UPPHO Dual Dial Flowmeter SSPP & ESABK
1006500	UPS 350 120V 60Hz w/Nema Plug
1006521	UPS 350 240V/60Hz w/Balboa Plug
1006540	UPS350 120V 60Hz w/MINI JJ Plug
1006541	UPS350 240V 60Hz w/MINI JJ Plug
1106540	EU3 120V/60Hz EUV 3-year wty MINI JJ Plug
1106550	EU3 120V/60Hz EUV 3-year wty Sundance Plug



Ultrapure – Ozone Generator Parts



<u>Part Number</u>	<u>Description</u>
1008030	Starter/Transformer for UPP15 120 v
1008075	Dial Flowmeter conversion kit
3408104	1/4" x 1/4" Popette Check Valve
3901804	UPP 50 Ozonator Bulb 120V
3901822	UPS 350/EUV3 Ozonator Replacement lamp
3901823	UPP15/25 Lamp



VM Pump Co. – Bronze Pumps



<u>Part Number</u>	<u>Description</u>
9402-9803	5VMB-S2 5HP CAST BRONZE 230V
9402-9804	5VMB-T 5HP CAST BRONZE 208-230/460V
9402-9805	5VMB-T5 5HP CAST BRONZE 575V
9402-8057	75VMB-S2 7.5HP CAST BRONZE 230V
9402-9774	75VMB-T 7.5HP CAST BRONZE 208-230/460V
9402-9758	75VMB-T5 7.5HP CAST BRONZE 575V
9402-8020	10VMB-S2 10HP CAST BRONZE 230V
9402-8016	10-VMB-T 10HP CAST BRONZE 208-230/460V
9402-8008	10VMB-T5 10HP CAST BRONZE Pump 575V

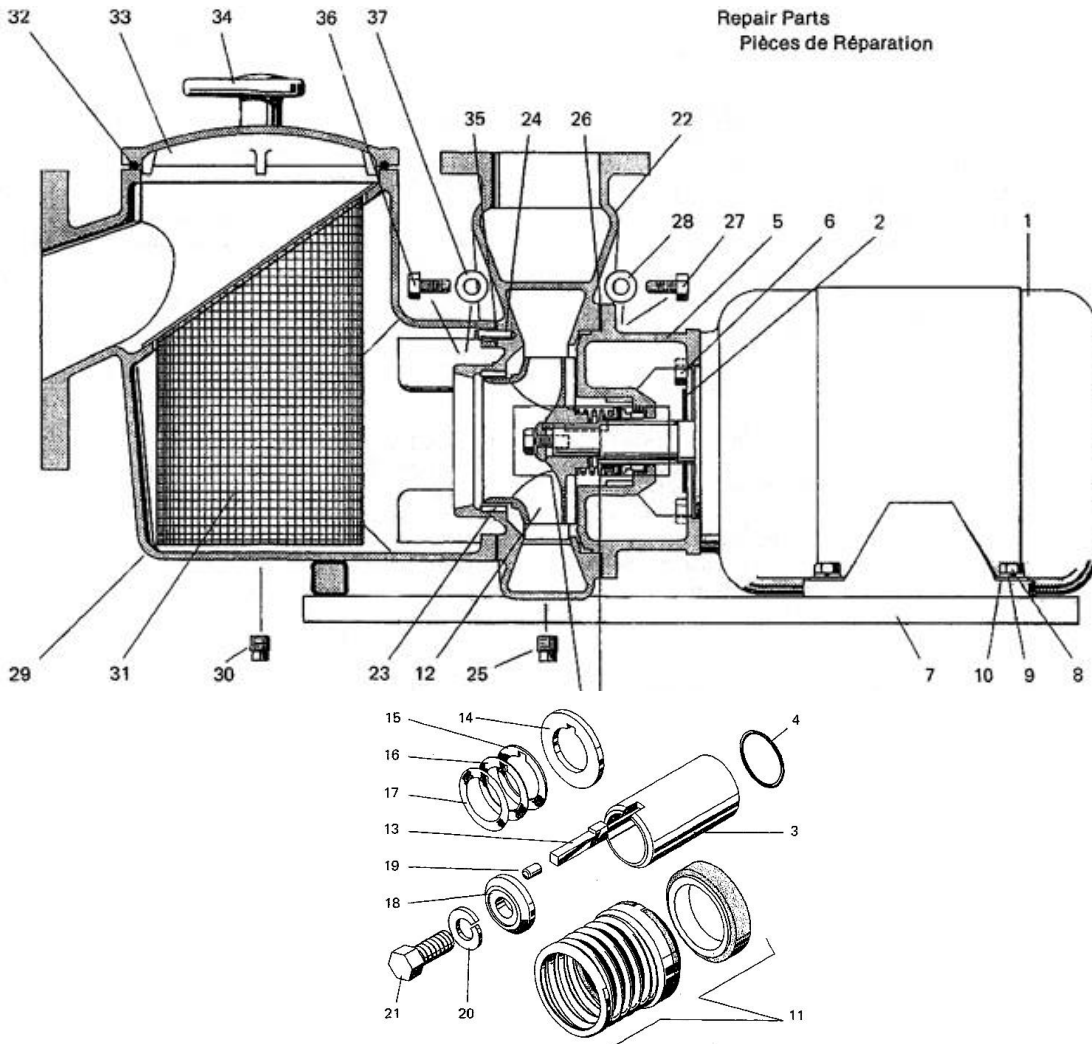
VM Pump Co. – Cast Iron Pumps



<u>Part Number</u>	<u>Description</u>
9402-9956	5VMC-S2 5HP CAST IRON 230V
9402-9972	5VMC-T 5HP CAST IRON 208-230/460V
9402-9998	5VMC-T5 5HP CAST IRON 575V
9402-8065	75VMC-S2 7.5HP CAST IRON 230V
9402-9782	75VMC-T 7.5HP CAST IRON 208-230/460V
9402-9766	75VMC-T5 7.5HP CAST IRON 575V
9402-8041	10VMC-S2 10HP CAST IRON 230V
9402-8040	10-VMC-T 10HP CAST IRON 208-230/460V
9402-8032	10VMC-T5 10HP CAST IRON 575V



VM Pump – Parts



Repair Parts
Pièces de Réparation

Part Number

Description

9017-9235	#1 - 5 HP VM 1/60/230, 184JM MOTOR
9017-9243	#1 - 5 HP VM 3/60/208-230/460,182JM MOTOR
9017-9250	#1 - 5 HP VM 3/60/575, 182JM MOTOR
9010-8697	#1- 7.5 HP VM 1/60/230, 213TCZ MOTOR
9017-9268	#1 - 7.5 HP VM 3/60/208-230/460, 184JM MOTOR
9017-9276	#1 - 7.5 HP VM 3/60/575, 184JM MOTOR
9017-9723	#1 - 10 HP VM 1/60/230, 215TCZ MOTOR
9017-9722	#1 - 10 HP VM 3/60/208-230/460,213TCZ MOTOR
9010-9844	#1 - 10 HP VM 3/60/575, 213TCZ MOTOR
22-0727-06	#2 - FLINGER
02-2500-09	#5 - 5VMC-S2, T, T5 & 7.5VMC-T, T5- BRACKET
02-2500-17	#5 - 5 VMB-S2, T, T5 & 75VMB-T, T5- BRACKET
02-2510-07	#5 - 7.5VMC-S2, 10VMC-S2, T, T5- BRACKET
02-2510-15	#5 - 7.5VMB-S2, 10VMB-S2, T, T5- BRACKET



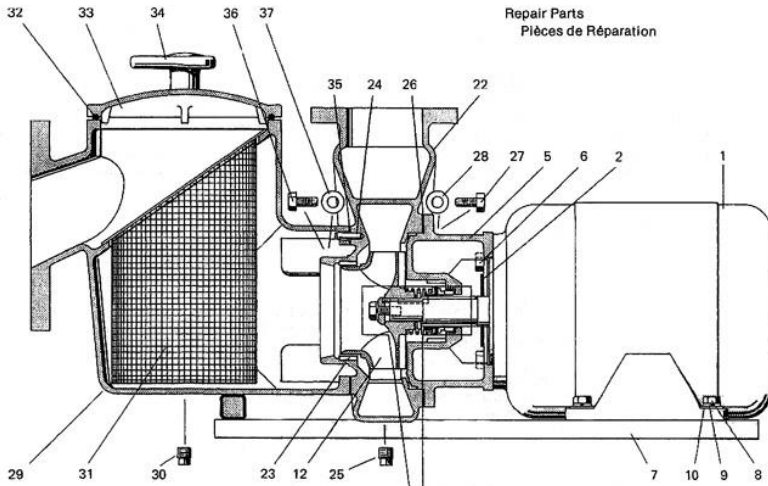
VM Pump – Parts



<u>Part Number</u>	<u>Description</u>
14-1293-24	Hex Cap Screw 3/8-16 x 7/8"L - 5 & 7.5VM - 4pack - #6 in diagram
14-1330-29	Hex Cap Screw 1/2-13 x 1 1/4"L - 10VM - 4pack - #6 in diagram
08-0328-07	7.5VMC/B-S2 & 10VMC/B-S2, T, T5 - SLEEVE - #3 in diagram
08-1000-00	5VMC/B-S2, T, T5 & 7.5VMC/B-T, T5 - SLEEVE - #3 in diagram
47-0022-09	O-Ring 1" x 1-1/8" #4 in diagram
10-0369-03	Mechanical Seal Assy. #11 in diagram
14-0219-01	Washer #10 in diagram
14-2055-04	Shim x .031 #15 in diagram
14-2055-12	Shim x .020 #16 in diagram
14-2055-20	Shim x .010 #17 in diagram
05-8009-09	5VMC - IMPELLER - #12 in diagram
05-8009-17	5VMB - - IMPELLER - #12 in diagram
05-8010-06	7.5VMC-T, T5 - IMPELLER - #12 in diagram
05-8010-14	7.5VMB-T, T5 - IMPELLER - #12 in diagram
05-8045-05	7.5VMC-S2 - IMPELLER - #12 in diagram
05-8045-13	7.5VMB-S2 - IMPELLER - #12 in diagram
05-8046-04	10VMC - IMPELLER - #12 in diagram
05-8046-12	10VMB - IMPELLER - #12 in diagram
14-0504-13	Adaptor - #18 in diagram
14-0382-10	Dowel Pin - #19 in diagram
22-0559-09	Gib Key - #13 in diagram
14-0722-01	Washer - #14 in diagram
14-2493-04	Cap Screw 3/8-16 x 1"L - #21 in diagram
03-1906-00	Case w/Wear Ring & Plug: VMC - #22 in diagram
03-1906-18	Case w/Wear Ring & Plug: VMB - #22 in diagram
08-1001-09	Wear Ring - #23 in diagram
31-0059-11	Plug 1/4"NPT - Galvanized VMC - #25 in diagram
31-0059-29	Plug 1/4"NPT - Brass VMB - #25 in diagram
13-0191-04	Gasket - #26 in diagram
14-2015-03	Index Pin - #24 in diagram
13-1223-04	Gasket - #26 in diagram
39-0647-04	Strainer Body: VMC - #29 in diagram
39-0647-12	Strainer Body: VMB - #29 in diagram
14-0005-09	Grommet - 8/pkg - #28 in diagram
14-1293-16	Hex Cap Screw 3/8-16 x 7/8"L: VMB 8/pkg - #27 in diagram

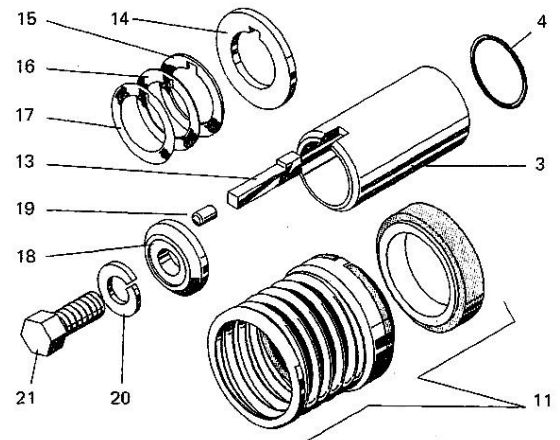


- 14-1293-24 Hex Cap Screw 3/8-16 x 7/8"L: VMC 8/pkg - #27 in diagram
- 16-0707-08 Strainer basket - #31 in diagram
- 39-0648-03 Strainer Cover: VMC - #33 in diagram
- 39-0648-11 Strainer Cover: VMB - #33 in diagram
- 31-0059-11 Plug 1/4"NPT - Galvanized VMC - #30 in diagram
- 31-0059-29 Plug 1/4"NPT - Brass VMB - #30 in diagram
- 47-0442-01 O-Ring 7-1/4" x 7-3/4"- #32 in diagram
- 39-0646-05 Lock Knob Assy. - 2 / Pkg - #34 in diagram
- 12-0618-00 Base: 5VM, 7.5VM-T - #7 in diagram
- 12-0618-18 Base: 7.5VM-S2, 10VM - #7 in diagram
- 14-1294-23 Hex Cap Screw 3/8-16 x 1"L - 4 / Pkg #8 in diagram
- 14-0722-19 Washer 3/8" - 4 / Pkg - #10 in diagram
- KIT-SS Assy. Kit Includes 3"&4" Flanges and Gaskets. Stainless Steel Bolts, Nuts & Washers.
- KIT-ZN Assy. Kit Includes 3"&4" Flanges and Gaskets. Zinc Bolts, Nuts & Washers.



Repair Parts
Pièces de Réparation

See exploded view at right for identification of parts enclosed in rectangle.
Voir gros plan à droite pour identifier les pièces renfermées dans le rectangle.





Speck Pumps – EcoVariable Frequency Drive Pumps



<u>Part Number</u>	<u>Description</u>
2043136206	1HP BADU EcoM2/433-II SF1.0 2SPD
2043136209	1HP BADU EcoM2/433-II SF1.0 2SPD
2043156206	1.5HP BADU EcoM2/433-III SF1.0
2043156209	1.5HP BADU EcoM2/433-III SF1.0
2043216206	2HP BADU EcoM2/433-IV SF1.0
2043216209	2HP BADU EcoM2/433-IV SF1.0
2043266206	2.5HP BADU EcoM2/433-V SF1.0
2043266209	2.5HP BADU EcoM2/433-V SF1.0
2072216206	2HP BADU EcoM2/72-IV SF1.0 2SPD
2072216209	2HP BADU EcoM2/72-IV SF1.0 2SPD
2072266206	2.5HP BADU EcoM2/72-V SF1.0 2SPD
2072266209	2.5HP BADU EcoM2/72-V SF1.0 2SPD
2092136206	1HP BADU EcoM2/S90-II SF1.0 2SPD
2092136209	1HP BADU EcoM2/S90-II SF1.0 2SPD
2092156206	1.5HP BADU EcoM2/S90-III SF1.0
2092156209	1.5HP BADU EcoM2/S90-III SF1.0
2092216206	2HP BADU EcoM2/S90-IV SF1.0 2SPD
2092216209	2HP BADU EcoM2/S90-IV SF1.0 2SPD



2092136013	1HP BADU EcoM3 SF1.25 208-230V
2092136213	1HP BADU EcoM3 V - 2 MINUTES
2092136513	1HP BADU EcoM3 V w/2 HR DEFAULT



2072326213	3.5HP BADU EcoMV/72-VI SF1.0
2072326215	3.5HP BADU EcoMV/72-VI SF1.0



Praher Plastics - Sight Glass



<u>Part Number</u>	<u>Description</u>
152-1SG	1 1/2" INLINE SIGHT GLASS S/S
202-1SG	2" INLINE SIGHT GLASS S/S
252-1SG	2-1/2" INLINE SIGHT GLASS S/S
302-1SG	3" INLINE SIGHT GLASS S/S



SGS-150	1 1/2" BACKWASH SIGHT GLASS
---------	-----------------------------



CMP – Sight Glass



<u>Part Number</u>	<u>Description</u>
25625-200-000	Sight Glass 2" socket like Hayward SP1074S





Atlantis – Silicone Lubricant



Looby Lube™

SILICONE O'RING LUBRICANT



<u>Part Number</u>	<u>Description</u>
LOOBY2	2 oz. PLASTIC BOTTLE
LOOBY4	4 oz. PLASTIC BOTTLE
LOOBY6	6 oz. PLASTIC BOTTLE
LOOBY8	8 oz. PLASTIC BOTTLE
LOOBY16	16 oz. PLASTIC BOTTLE

Rejuvenates and Protects



Praher Plastics – Strainers



Size:	3/8" - 3"	
Ends:	Socket	
Seal:	EPDM	
Body:	PVC transparent	
Screen:	Natural polypropylene -	1800 micron - coarse
	STAINLESS STEEL	1000, 750 micron - medium
	STAINLESS STEEL	500 micron - fine

<u>Part Number</u>	<u>Description</u>
120-558	1/2" PVC STRAINER 1800 MICRON
120-559	3/4" PVC STRAINER 1800 MICRON
120-560	1" PVC STRAINER 1800 MICRON
120-561	1 1/4" PVC STRAINER 1800 MICRON
120-562	1 1/2" PVC STRAINER 1800 MICRON
120-563	2" PVC STRAINER 1800 MICRON
120-564	2 1/2" PVC STRAINER 1800 MICRON
120-565	3" PVC STRAINER 1800 MICRON
124735-05	3/8" PVC STRAINER 500 MICRON
124735-07	3/8" PVC STRAINER 750 MICRON
124735-10	3/8" PVC STRAINER 1000 MICRON
124736-05	1/2" PVC STRAINER 500 MICRON
124736-07	1/2" PVC STRAINER 750 MICRON
124736-10	1/2" PVC STRAINER 1000 MICRON
124737-05	3/4" PVC STRAINER 500 MICRON
124737-07	3/4" PVC STRAINER 750 MICRON
124737-10	3/4" PVC STRAINER 1000 MICRON
124738-05	1" PVC STRAINER 500 MICRON
124738-07	1" PVC STRAINER 750 MICRON
124738-10	1" PVC STRAINER 1000 MICRON
124739-10	1 1/4" PVC STRAINER 1000 MICRON
124740-05	1 1/2" PVC STRAINER 500 MICRON
124740-07	1 1/2" PVC STRAINER 750 MICRON
124740-10	1 1/2" PVC STRAINER 1000 MICRON
124741-05	2" PVC STRAINER 500 MICRON
124741-07	2" PVC STRAINER 750 MICRON
124741-10	2" PVC STRAINER 1000 MICRON
124742-05	2 1/2" PVC STRAINER 500 MICRON
124742-07	2 1/2" PVC STRAINER 750 MICRON
124742-10	2 1/2" PVC STRAINER 1000 MICRON
124743-05	3" PVC STRAINER 500 MICRON
124743-07	3" PVC STRAINER 750 MICRON
124743-10	3" PVC STRAINER 1000 MICRON

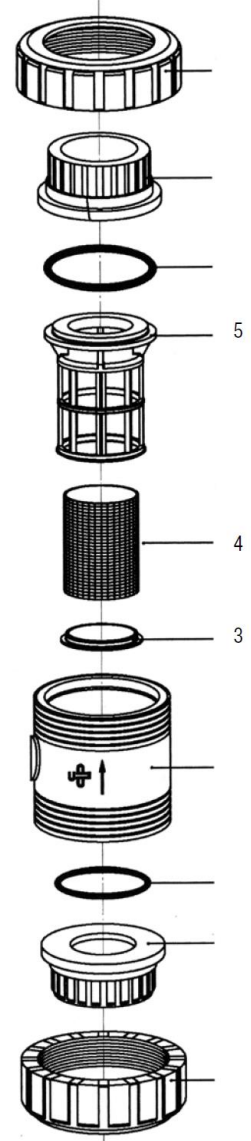




Praher Plastics – Strainer Parts



<u>Part Number</u>	<u>Description</u>
100-276	1/2" STRAINER 1800 MICRON insert
100-277	3/4" STRAINER 1800 MICRON insert
100-325	1" STRAINER 1800 MICRON insert
100-326	1 1/4" STRAINER 1800 MICRON insert
100-518	1 1/2" STRAINER 1800 MICRON insert
100-521	2" STRAINER 1800 MICRON insert
100-483	2 1/2" STRAINER 1800 MICRON insert
100-491	3" STRAINER 1800 MICRON insert
141474	1/2" SCREEN CAGE
141475	3/4" SCREEN CAGE
141476	1" SCREEN CAGE
141477	1 1/4" SCREEN CAGE
141478	1 1/2" SCREEN CAGE
141479	2" SCREEN CAGE
141480	2 1/2" SCREEN CAGE
141480	3" SCREEN CAGE
-50606	1/2" 500 MICRON SCREEN
-50608	3/4" and 1" 500 MICRON SCREEN
-50609	1 1/4" 500 MICRON SCREEN
-50610	1 1/2" 500 MICRON SCREEN
-50611	2" 500 MICRON SCREEN
-50612	2 1/2" 500 MICRON SCREEN
-50613	3 and 4" 500 MICRON SCREEN
-50614	1/2" 750 MICRON SCREEN
-50616	3/4" and 1" 750 MICRON SCREEN
-50617	1 1/4" 750 MICRON SCREEN
-50618	1 1/2" 750 MICRON SCREEN
-50619	2" 750 MICRON SCREEN
-50620	2 1/2" 750 MICRON SCREEN
-50621	3 and 4" 750 MICRON SCREEN
-50622	1/2" 1000 MICRON SCREEN
-50624	3/4" and 1" 1000 MICRON SCREEN
-50625	1 1/4" 1000 MICRON SCREEN
-50626	1 1/2" 1000 MICRON SCREEN
-50627	2" 1000 MICRON SCREEN
-50628	2 1/2" 1000 MICRON SCREEN
-50629	3" or 4" 1000 MICRON SCREEN





Intermatic - Timers



<u>Part Number</u>	<u>Description</u>
T101P201	125V SPST BEIGE PLASTIC CASE
T104P201	208-277V DPST BEIGE PLASTIC CASE



<u>Part Number</u>	<u>Description</u>
156T1978A	T104TRIP TRIPPER SET

All timers come with heater cutoff switch for equipment protection



Praher Plastics – Unions



<u>Part Number</u>	<u>Description</u>
050-100	1/2" PVC SKT X SKT
075-100	3/4" PVC SKT X SKT
075-906	3/4" PVC MIP X SKT – High Heat
100-906	1" PVC MIP X SKT – High Heat
100-100	1" PVC SKT X SKT
150-100	1 1/2" PVC SKT X SKT
150-201	1 1/2" PVC 1 1/2" SKT X 2" SKT
150-300	1 1/2" PVC FIP X FIP
150-600	1 1/2" PVC MIP X MIP
150-800	1 1/2" PVC SKT X FIP
150-805	1 1/2" PVC FIP X MIP
150-903	1 1/2" PVC SKT X MIP w O-RING
150-904	1 1/2" PVC DUAL HOSE BARB X MIP
150-906	1 1/2" PVC MIP X SKT – High Heat
200-100	2" PVC SKT X SKT
200-300	2" PVC FIP X FIP
200-800	2" PVC SKT X FIP
200-90015	1 1/2" PVC MIP BODY X 2" ASTM SKT
200-903	2" PVC SKT X MIP w O-RING
200-906	2" PVC MIP x SKT – High Heat
200-9061	2" PVC Hi-Heat MIPxSKT w/long neck
200-950	2" PVC MIP X SKT w O-RING
200-996	2" PVC 90 DEGREE – High Heat
216-906	1 1/2" MIP X 2" SKT – High Heat
250-100	2 1/2" PVC SKT X SKT
225-9061	2" MIPx2.5" SKT Hi-Heat w/long neck





Vac-Alert – Anti-Entrapment Device



<u>Part Number</u>	<u>Description</u>
VA-2000L	Vac-Alert SVRS PUMP ABOVE WATER LEVEL
VA-2000S	Vac-Alert SVRS PUMP BELOW WATER LEVEL





The Vac-Alert™ SVRS is:

- **Easy to Install:** Minutes, not hours.
- **Trusted #1:** The #1 sales leader. Upwards of 100,000 installed since 1999 in several countries.
- **Reliable & Safe:** Milliseconds response, all mechanical, non-electrical, safe for pumps.

“Save a child’s life — Vac-Alert™ saves lives.”





Intermatic – Valve Actuators



<u>Part Number</u>	<u>Description</u>
PE24VA	24VAC VALVE ACTUATOR UNIVERSAL FIT
JVA2440	24VAC JANDY VALVE ACTUATOR UNIVERSAL FIT



Praher Plastics – Actuated Valves



<u>Part Number</u>	<u>Description</u>
OV3-3110	3 inch 3-PORT VALVE w/ 110V ACTUATOR
OV3-3024	3 inch 3-PORT VALVE w/ 24V ACTUATOR





Praher Plastics – Valves



<u>Part Number</u>	<u>Description</u>
12-0631	1/2" PVC 3-way Ball Valve T-ball S/S
12-0633	1/2" PVC 3-way Ball Valve L-ball S/S
12-2996	3/4" PVC 3-way TU Ball Valve L-ball S/S
12-2195	1" PVC 3-way TU Ball Valve T-ball S/S
12-1897	1" PVC 3-way TU Ball Valve L-ball S/S
12-2997	1 1/4" PVC 3-way TU Ball Valve T-ball S/S
12-2998	1 1/4" PVC 3-way TU Ball Valve L-ball S/S
12-2752	1 1/2" PVC 3-way TU Ball Valve T-ball S/S
12-2754	2" PVC 3-way TU Ball Valve T-ball S/S
075-DV010	3/4" Single union drain valve
075-DV011	3/4" Single union drain valve
075-DV020	3/4" Single union drain valve
050-ES00	1/2" PVC Compact Ball Valve S/S
050-ES00T	1/2" PVC Compact Ball Valve FPT/FPT
075-ES00	3/4" PVC Compact Ball Valve S/S
075-ES00T	3/4" PVC Compact Ball Valve FPT/FPT
100-ES00	1" PVC Compact Ball Valve S/S
100-ES00T	1" PVC Compact Ball Valve FPT/FPT
150-ES00	1 1/2" PVC Compact ball valve S/S
150-ES00T	1 1/2" PVC Compact ball valve FPT/FPT
200-ES00	2" PVC Compact Ball Valve S/S
200-ES00T	2" PVC Compact Ball Valve FPT/FPT
200-ESPSP	2" PVC Compact Ball Valve Sp/Sp
250-ES00	2.5" PVC Compact Ball Valve Sp/Sp



CMP - Ball Valves



25800-110-000	1" PVC Compact Ball Valve S/S
25800-151-000	1-1/2" PVC Compact Ball Valve S/S
25800-210-000	2" PVC Compact Ball Valve S/S
25800-251-000	2-1/2" PVC Compact Ball Valve S/S
25800-310-000	3" PVC Compact Ball Valve S/S
25800-410-000	4" PVC Compact Ball Valve S/S
25800-751-000	3/4" PVC Compact Ball Valve S/S
25800-759-000	3/4" PVC Compact Ball Valve S/S Red Handle





Praher Plastics – Lab Cock Valves



<u>Part Number</u>	<u>Description</u>
LC-PV	1/4" PVC/EPDM MIP X FIP NO FITTINGS
LC-PV-1	1/4" PVC/EPDM MIP X FIP WITH FITTINGS
LC-PV-2	1/4" PVC/VITON MIP X FIP WITH FITTINGS
LC-VDF-2	1/4" PVDF/VITON MIP X FIP WITH FITTINGS



Praher Plastics – Single Union Ball Valves



<u>Part Number</u>	<u>Description</u>
050-000	1/2" Single union ball valve S/S - Grey
050-000W	1/2" Single union ball valve FIP/FIP-White
050-111	1/2" Single union ball valve FIP/FIP - Grey
050-111W	1/2" Single union ball valve FIP/FIP-White
075-000	3/4" Single union ball valve S/S - Grey
075-000W	3/4" Single union ball valve FIP/FIP-White
075-111	3/4" Single union ball valve FIP/FIP - Grey
075-111W	3/4" Single union ball valve FIP/FIP-White
100-000	1" Single union ball valve S/S - Grey
100-000W	1" Single union ball valve FIP/FIP-White
100-111	1" Single union ball valve FIP/FIP - Grey
100-111W	1" Single union ball valve FIP/FIP-White
150-010	1 1/2" PVC Single union ball valve S/S
150-011	1 1/2" PVC Single union ball valve SKT/FIP
150-015	1 1/2" PVC Single Union ball valve MIP X FIP
150-0155	1 1/2" PVC Single Union ball valve MIP X MIP
150-016	1 1/2" PVC Single Union ball valve MIP/SKT
150-052	1 1/2" PVC Single Union ball valve SKT X MIP
150-111	1 1/2" PVC Single union ball valve FIP/FIP
200-010	2" PVC Single union ball valve S/S
200-011	2" PVC Single union ball valve SKT/FIP
200-016	2" PVC Single union ball valve MIP/SKT
200-111	2" PVC Single union ball valve FIP/FIP





Praher Plastics – True Union Ball Valves



<u>Part Number</u>	<u>Description</u>
12-4075	1 1/2" PVC M1 SERIES S/S
12-4075ST	1 1/2" PVC M1 SERIES FPT/FPT w/SKT
12-4076	2" PVC M1 SERIES S/S
12-4076ST	2" PVC M1 SERIES FPT/FPT w/SKT
21-0495	3" PVC M1 SERIES S/S



<u>Part Number</u>	<u>Description</u>
BV6-0501PES	1/2" PVC BV6 SERIES SxS
BV6-0501PET	1/2" PVC BV6 SERIES FptxFpt
BV6-0751PES	3/4" PVC BV6 SERIES SxS
BV6-0751PET	3/4" PVC BV6 SERIES FptxFpt
BV6-1001PES	1" PVC BV6 SERIES SxS
BV6-1001PET	1" PVC BV6 SERIES FptxFpt
BV6-1251PES	1 1/4" PVC BV6 SERIES SxS
BV6-1251PET	1 1/4" PVC BV6 SERIES FptxFpt
BV6-1501PES	1 1/2" PVC BV6 SERIES SxS
BV6-1501PET	1 1/2" PVC BV6 SERIES FptxFpt
BV6-2001PES	2" PVC BV6 SERIES SxS
BV6-2001PET	2" PVC BV6 SERIES FptxFpt
BV6-2501PES	2 1/2" PVC BV6 SERIES SxS
BV6-3001PES	3" PVC BV6 SERIES SxS
BV6-3001PET	3" PVC BV6 SERIES FPTxFPT
BV6-4001PES	4" PVC BV6 SERIES SxS





Praher Plastics – Butterfly Valves

<u>Part Number</u>	<u>Description</u>
125-861	3" PVC/EPDM BUTTERFLY VALVE
125-862	4" PVC/EPDM BUTTERFLY VALVE
125-863	6" PVC/EPDM BUTTERFLY VALVE
125-864	8" PVC/EPDM BUTTERFLY VALVE
125-866	3" PVC/VITON BUTTERFLY VALVE
125-867	4" PVC/VITON BUTTERFLY VALVE
125-868	6" PVC/VITON BUTTERFLY VALVE
125-869	8" PVC/VITON BUTTERFLY VALVE



Praher Plastics – Diaphragm Valves

<u>Part Number</u>	<u>Description</u>
122-905	PVC/EPDM/UNION 1/2"
122-906	PVC/EPDM/UNION 3/4"
122-907	PVC/EPDM/UNION 1"
122-908	PVC/EPDM/UNION 1 1/4"
122-909	PVC/EPDM/UNION 1 1/2"
122-910	PVC/EPDM/UNION 2"
122-911	PVC/VITON/UNION 1/2"
122-912	PVC/VITON/UNION 3/4"
122-913	PVC/VITON/UNION 1"
122-914	PVC/VITON/UNION 1 1/4"
122-915	PVC/VITON/UNION 1 1/2"
122-916	PVC/VITON/UNION 2"
122-926	PVC/TEFLON*/UNION 1/2"
122-927	PVC/TEFLON*/UNION 3/4"
122-928	PVC/TEFLON*/UNION 1"
122-929	PVC/TEFLON*/UNION 1 1/4"
122-930	PVC/TEFLON*/UNION 1 1/2"
122-931	PVC/TEFLON*/UNION 2"





CMP - Check Valves



<u>Part Number</u>	<u>Description</u>
25830-150-000	Serviceable Check (Straight), 1.5SL
25830-200-000	Serviceable Check (Straight) 2inSL
25830-250-000	2.5" Serviceable Check
25830-350-000	CR Serviceable Check, 1.5in
25830-400-000	CR Serviceable Check, 2in
25830-450-000	Serv Check Valve; 1/4lb; 1.5 S X 2 Spg
25830-500-000	Serv Check Valve; 1/4lb; 2 S X 2.5 Spg
25830-704-000	Serv ChkVlv, 1.5"S/2"SP, Std Style,180dg
25830-714-000	Serv ChkVlv, 2"S/2.5"SP, Std Style,180dg
25830-764-000	Serv ChkVlv, 1.5"S/2"SP, Std Style,90dg
25830-774-000	Serv ChkVlv, 2"S/2.5"SP, Std Style,90dg
25062-159-000	1-1/2" Flapper Swing Check - Clear
25062-209-000	2" Flapper Swing Check – Clear
740152040	4" Flapper Swing Check – Clear



Praher Plastics – Double Union Spring Check Valves



<u>Part Number</u>	<u>Description</u>
3-050	1/2" PVC DU w EPDM O-RINGS S-S
3-075	3/4" PVC DU w EPDM O-RINGS S-S
3-076	3/4" PVC DU w EPDM O-RINGS FPT-FPT
3-100	1" PVC DU w EPDM O-RINGS S-S
3-101	1" PVC DU w EPDM O-RINGS FPT-FPT
3-125	1 1/4" PVC DU w EPDM O-Rings S-S
3-150	1 1/2" PVC DU w EPDM O-Rings S-S
3-151	1 1/2" PVC DU w EPDM O-Rings S-S
3-200	2" PVC DU w EPDM O-Rings S-S
3-201	2" PVC DU w EPDM O-Rings FPT-FPT
3-250	2 1/2" PVC DU w EPDM O-Rings S-S
3-251	2 1/2" PVC DU w EPDM O-Rings FPT-FPT
3-300	3" PVC DU w EPDM O-Rings S-S
3-301	3" PVC DU w EPDM O-Rings FPT-FPT





Praher Plastics – Double Union Spring Check Valves



<u>Part Number</u>	<u>Description</u>
152-CVC-025	1 1/2" D. U. Check w 1/4 LB SPRING-CLEAR
152-CVC-050	1 1/2" D. U. Check w 1/2 LB SPRING-CLEAR
152-CVC-200	1 1/2" D. U. Check w 2 LB SPRING-CLEAR
152-CVC-200CR	1 1/2" DU CV w 1/4 LB SPR - TEFLON/VITON
152-CVC-1000	1 1/2" D. U. Check w 10 LB SPRING-CLEAR
202-CVC-025	2" DU Check w 1/4 LB SPRING - CLEAR
202-CVC-050	2" DU Check w 1/2 LB SPRING - CLEAR
202-CVC-050CR	2" DU CV w 1/2 LB SPR - TEFLON/VITON
202-CVC-200	2" DU Check w 2 LB SPRING - CLEAR
202-CVC-200CR	2" DU CV w 2 LB SPR - TEFLON/VITON
202-CVC-1000	2" DU Check w 10 LB SPRING - CLEAR



Praher Plastics – Flapper Check Valve



FCV-2010	2 1/2" - 2" FLAPPER Check
FCV-2090	2 1/2" - 2" FLAPPER Check 90 degree
FCV-2010U	2" UNIONIZED Flapper Check Valve



FCV - 2010



Praher Plastics –Single Union Spring Check Valves



<u>Part Number</u>	<u>Description</u>
150-CV-025	1 1/2" 1/4 LB SPRING
150-CVC-025	1 1/2" 1/4 LB SPRING – CLEAR
150-CV-050	1 1/2" 1/2 LB SPRING
150-CVC-050	1 1/2" 1/2 LB SPRING - CLEAR
150-CV-200	1 1/2" 2 LB SPRING
150-CV-200CR	1 1/2" 2 LB SPRING - TEFLON/VITON
150-CVC-200	1 1/2" 2 LB SPRING – CLEAR
150-CVC-200CR	1 1/2" 2LB SPRING – CLEAR - TEFLON/VITON
150-CV-350	1 1/2" 3 1/2 LB SPRING
150-CV-500	1 1/2" 5 LB SPRING
150-CV-1000	1 1/2" 10 LB SPRING
200-CV-025	2" 1/4 LB SPRING
200-CVC-025	2" 1/4 LB SPRING - CLEAR
200-CV-050	2" 1/2 LB SPRING
200-CVC-050	2" 1/2 LB SPRING - CLEAR
200-CV-200	2" 2 LB SPRING
200-CV-200CR	2" 2 LB SPRING - TEFLON/VITON
200-CVC-200	2" 2 LB SPRING - CLEAR
200-CVC-200CR	2" 2 LB SPRING – CLEAR - TEFLON/VITON
200-CV-350	2" 3 1/2 LB SPRING
200-CV-500	2" 5 LB SPRING
200-CV-1000	2" 10 LB SPRING



Praher Plastics –Slim Line Spring Check Valves



<u>Part Number</u>	<u>Description</u>
200-CVS-025	2" SLIM LINE Check 1/4 LB SPRING
200-CVS-050	2" SLIM LINE Check 1/2 LB SPRING
200-CVS-200	2" SLIM LINE Check 2 LB SPRING
200-CVS-350	2" SLIM LINE Check 3 1/2 LB SPRING
200-CVS-500	2" SLIM LINE Check 5 LB SPRING





Praher Plastics – Wafer Check Valves



<u>Part Number</u>	<u>Description</u>
129101	2" PVC with SS spring/EPDM seals
129102	2 1/2" PVC with SS spring/EPDM seals
129103	3" PVC with SS spring/EPDM seals
129104	4" PVC with SS spring/EPDM seals
129105	5" PVC with SS spring/EPDM seals
129106	6" PVC with SS spring/EPDM seals
129107	8" PVC with SS spring/EPDM seals
129108	10" PVC with SS spring/EPDM seals
129109	12" PVC with SS spring/EPDM seals
470-140-E	14" PVC with SS spring/EPDM seals
470-160-E	16" PVC with SS spring/EPDM seals



Praher Plastics - Spacers



3-20-7	2" PVC SPACER
3-25-7	2-1/2" PVC SPACER
3-30-7	3" PVC SPACER
3-40-7	4" PVC SPACER
3-50-7	5" PVC SPACER
3-60-7	6" PVC SPACER
3-80-7	8" PVC SPACER
3-120-7	12" PVC SPACER
3-140-7	14" PVC SPACER
3-160-7	16" PVC SPACER



Praher Plastics - K4 Series Swing Check Valves



No Spacers or Flange Gaskets required – Drop in replacement

Position indicator shows flapper status at a glance

Spring load can be changed through position indicator without removing valve

<u>Part Number</u>	<u>Description</u>
SCV-1030	3" PVC/EPDM SEALS
SCV-1040	4" PVC/EPDM SEALS
SCV-1060	6" PVC/EPDM SEALS
SCV-1080	8" PVC/EPDM SEALS
SCV-10100	10" PVC/EPDM SEALS
SCV-1030V	3" PVC/VITON SEALS
SCV-1040V	4" PVC/VITON SEALS
SCV-1060V	6" PVC/VITON SEALS
SCV-1080V	8" PVC/VITON SEALS
SCV-10100V	10" PVC/VITON SEALS





Praher Plastics – Diverter Valves



<u>Part Number</u>	<u>Description</u>
OV2-1500	1 1/2" - 2" 2 PORT SKT/SKT
OV2-1500U	1 1/2" UNIONIZED 2-PORT
OV2-1590	1 1/2" - 2" 2-PORT 90 DEGREE SOCKET
OV2-1590U	1 1/2" UNIONIZED 2-PORT, 90 DEGREE
OV2-1593U	1 1/2" UNIONIZED 2-PORT, 90 DEGREE FIP
OV2-2000	2" - 2 1/2" - 2 PORT SKT, w BUSHINGS
OV2-2010	2" - 2 1/2" 2 PORT SKT/SKT
OV2-2010U	2" UNIONIZED 2-PORT w SOCKET
OV2-2090	2" - 2 1/2" - 2 PORT 90 DEGREE SOCKET
OV2-2090U	2" UNIONIZED 2-PORT, 90 DEGREE
OV2-2093U	2" UNIONIZED 2-PORT, 90 DEGREE FIP
OV3-1500	1 1/2" - 2" - 3 PORT SOCKET
OV3-1500U	1 1/2" – UNIONIZED 3 PORT SOCKET
OV3-1503	1 1/2" - 3 PORT - 1 1/2" FIP THREADED NPT
OV3-1503U	1 1/2" UNIONIZED 3 PORT - FIP
OV3-15FFMU	1 1/2" UNIONIZED 3-PORT FIP X FIP X MIP
OV3-15SSMU	1 1/2" UNIONIZED 3-PORT SKT X SKT X MIP
OV3-2000	2" - 2 1/2" - 3 PORT w 1 1/2" BUSHINGS
OV3-2010	2" - 2 1/2" - 3 PORT SOCKET
OV3-2010U	2" UNIONIZED 3 PORT SOCKET
OV3-20SSMU	2" UNIONIZED 3-PORT SKT X SKT X MIP
OV3-3000	3 inch 3-PORT SOCKET ENDS (210 GPM)
VF2-2010	2" 2-PORT WITH FLOW INDICATOR





Praher Plastics – Gate Valves



<u>Part Number</u>	<u>Description</u>
100-GATE	1" PVC SKT X SKT
150-GATE	1 1/2" PVC SKT X SKT WHITE
150-GFFT	1 1/2" PVC FIP X FIP WHITE
150-GMFT	1 1/2" PVC MIP X FIP WHITE
150-GMMT	1 1/2" PVC MIP X MIP WHITE
150-HB4PMT	1 1/2" PVC POOL HOSE X 1 1/2" MIP - WHITE
150-HB4PX2	1 1/2" PVC POOL HOSE X POOL HOSE
150-HBMT	1 1/2" PVC HOSE X MIP WHITE
150-HBX2	1 1/2" PVC HOSE X 1 1/2" HOSE - WHITE
150-SLMT	1 1/2" PVC SKT X MIP WHITE
150-SLSP	1 1/2" PVC SKT X SPIGOT WHITE
151-GFFT	1 1/2" PVC FIP X FIP BLACK
151-GMFT	1 1/2" PVC MIP X FIP BLACK
151-SLMT	1 1/2" PVC SKT X MIP BLACK
200-GATE	2" PVC SKT X SKT - WHITE
200-SLSP	2" PVC SKT X SPIGOT - WHITE
200-UNIO	2" PVC w UNION WHITE
210-GATE	2" PVC UNIBODY SKT X SKT
210-GSLSP	2" PVC UNIBODY SKT X SPIGOT
250-GATE	2 1/2" PVC SKT X SKT - WHITE
250-SLSP	2 1/2" PVC SKT X SPIGOT - WHITE
0412-25	2.5" Gate Valve S-Sp
260-GATE	2 1/2" PVC UNIBODY SKT X SKT
260-GSLSP	2 1/2" PVC UNIBODY SKT X SPIGOT
300-GATE	3-inch PVC SKT X SKT - GREY
400-GATE	4" PVC SKT X SKT - GREY



Custom Molded Products – Gate Valves



<u>Part Number</u>	<u>Description</u>
25855-150-000	1.5" FIPx1.5" Split Nut, WHITE
25855-154-000	1.5" FIPx1.5" Split Nut, Blk
25856-154-000	1.5" MIP x 1.5" Hose Adpt, Blk
25857-150-000	1.5" SplitNut x1.5" HseAdpt, Wh
25857-154-000	1.5" SplitNut x1.5" HseAdpt, Blk





Winterizing Products

Part Number

Description

HWP210 #10 Winterizing plug
 HWP211 #11 Winterizing plug
 HWP215 #15 Winterizing plug for 4" Pipe



25251-100 Skimmer winterizing tube 1.5" & 2"



25251-120 Deluxe Skimmer winterizing tube
 With plumbing blowout hole fits 1.5 & 2"



25543-000-000 1-1/2" plug with O-Rings
 25525-000-000 2" plug with O-Rings



CYCLONE3 Cyclone 3HP 120V Winterizing Blower/liner
 vac

