



## Valves-Ball Valves

## Valves-Ball Valves

### Part Number

### Description

### List Price



12-0631  
12-0633  
12-2996  
12-2195  
12-1897  
12-2997  
12-2998  
12-2752  
12-2754

1/2" PVC 3-way Ball Valve T-ball S/S  
1/2" PVC 3-way Ball Valve L-ball S/S  
3/4" PVC 3-way TU Ball Valve L-ball S/S  
1" PVC 3-way TU Ball Valve T-ball S/S  
1" PVC 3-way TU Ball Valve L-ball S/S  
1 1/4" PVC 3-way TU Ball Valve T-ball S/S  
1 1/4" PVC 3-way TU Ball Valve L-ball S/S  
1 1/2" PVC 3-way TU Ball Valve T-ball S/S  
2" PVC 3-way TU Ball Valve T-ball S/S

\$113.00  
\$113.00  
\$114.70  
\$114.70  
\$114.70  
\$171.44  
\$171.44  
\$186.33  
\$221.22



075-DV010  
075-DV011  
075-DV020

3/4" Single union drain valve  
3/4" Single union drain valve  
3/4" Single union drain valve

\$7.10  
\$7.10  
\$7.10

050-ES00  
050-ES00T  
075-ES00  
075-ES00T  
100-ES00  
100-ES00T  
150-ES00  
150-ES00T  
200-ES00  
200-ES00T  
200-ESPSP  
250-ES00

1/2" PVC Econo-Seal Ball Valve S/S  
1/2" PVC Econo-Seal Ball Valve FPT/FPT  
3/4" PVC Econo-Seal Ball Valve S/S  
3/4" PVC Econo-Seal Ball Valve FPT/FPT  
1" PVC Econo-Seal Ball Valve S/S  
1" PVC Econo-Seal Ball Valve FPT/FPT  
1 1/2" PVC Econo-Seal ball valve S/S  
1 1/2" PVC Econo-Seal ball valve FPT/FPT  
2" PVC Econo-Seal Ball Valve S/S  
2" PVC Econo-Seal Ball Valve FPT/FPT  
2" PVC Econo-Seal Ball Valve Sp/Sp  
2.5" PVC Econo-Seal Ball Valve Sp/Sp  
1" PVC Compact Ball Valve S/S  
1-1/2" PVC Compact Ball Valve S/S  
2" PVC Compact Ball Valve S/S  
2-1/2" PVC Compact Ball Valve S/S  
3" PVC Compact Ball Valve S/S  
4" PVC Compact Ball Valve S/S  
3/4" PVC Compact Ball Valve S/S Red Handle

\$12.42  
\$13.50  
\$13.50  
\$14.98  
\$16.00  
\$17.10  
\$19.98  
\$19.98  
\$24.02  
\$28.00  
\$24.02  
\$52.00  
\$9.25  
\$14.88  
\$18.15  
\$60.00  
\$101.92  
\$183.24  
\$5.90  
\$5.08

NEW  
200-ESPSP spigot x spigot

NSF®

NEW  
200-ESPSP spigot x spigot

NSF®

LC-PV

1/4" PVC LAB COCK VALVE/EPDM MIP X FIP without FITTINGS

\$25.96

LC-PV-1

1/4" PVC LAB COCK VALVE/EPDM MIP X FIP w/ HOSE FITTINGS

\$31.10

LC-PV-2

1/4" PVC LAB COCK VALVE/VITON MIP X FIP w/ HOSE FITTINGS

\$32.84

LC-VDF-2

1/4" PVDF LAB COCK VALVE/VITON MIP X FIP w/ HOSE FITTINGS

\$74.24



## Valves-Ball Valves

## Valves-Ball Valves

### Part Number

### Description

### List Price



050-000	1/2" Single union ball valve S/S - Grey	\$14.00
050-000W	1/2" Single union ball valve FIP/FIP-White	\$14.00
050-111	1/2" Single union ball valve FIP/FIP - Grey	\$15.06
050-111W	1/2" Single union ball valve FIP/FIP-White	\$15.06
075-000	3/4" Single union ball valve S/S - Grey	\$16.00
075-000W	3/4" Single union ball valve FIP/FIP-White	\$16.00
075-111	3/4" Single union ball valve FIP/FIP - Grey	\$17.00
075-111W	1" Single union ball valve FIP/FIP-White	\$17.00
100-000	1" Single union ball valve S/S - Grey	\$18.90
100-000W	1" Single union ball valve FIP/FIP-White	\$18.90
100-111	1" Single union ball valve FIP/FIP - Grey	\$20.00
100-111W	1" Single union ball valve FIP/FIP-White	\$20.00
150-010	1 1/2" PVC Single union ball valve S/S	\$23.78
150-011	1 1/2" PVC Single union ball valve SKT/FIP	\$31.20
150-015	1 1/2" PVC Single Union ball valve MIP X FIP	\$24.02



Spare pin serves as a tool for valve servicing/repair (remove from handle to assist in pin removal when servicing valve seat)



150-0155	1 1/2" PVC Single Union ball valve MIP X MIP	\$26.00
150-016	1 1/2" PVC Single Union ball valve MIP/SKT	\$24.02
150-052	1 1/2" PVC Single Union ball valve SKT X MIP	\$24.02
150-111	1 1/2" PVC Single union ball valve FIP/FIP	\$30.40
200-010	2" PVC Single union ball valve S/S	\$30.00
200-011	2" PVC Single union ball valve SKT/FIP	\$39.74
200-016	2" PVC Single union ball valve MIP/SKT	\$38.58
200-111	2" PVC Single union ball valve FIP/FIP	\$43.82

Spare pin serves as a tool for valve servicing/repair (remove from handle to assist in pin removal when servicing valve seat)



### M1 Series Industrial PVC True Union Ball Valves with Locking Handle, Silicone Free & NSF-61 Approved!

All M1 ball valves include lock-out tag-out handle at no additional charge.

12-4075

1 1/2" PVC True union ball valve S/S

\$159.62





## Valves-Ball Valves

### Part Number

### Description

### List Price

12-4075ST	1 1/2" PVC True union ball valve FPT/FPT w/ SKT ENDS	\$167.61
12-4076	2" PVC True union ball valve S/S	\$197.28
12-4076ST	2" PVC True union ball valve FPT/FPT w/ SKT ENDS	\$207.15
21-0495	3 inch PVC True union ball valve S/S	\$531.70



BV6-0501PES	1/2" PVC True union ball valve SxS	\$18.54
BV6-0501PET	1/2" PVC True union ball valve FptxFpt	\$30.80
BV6-0751PES	3/4" PVC True union ball valve SxS	\$19.52
BV6-0751PET	3/4" PVC True union ball valve FptxFpt	\$32.00
BV6-1001PES	1" PVC True union ball valve SxS	\$24.50
BV6-1001PET	1" PVC True union ball valve FptxFpt	\$43.16
BV6-1251PES	1 1/4" PVC True union ball valve SxS	\$35.14
BV6-1251PET	1 1/4" PVC True union ball valve FptxFpt	\$46.06
BV6-1501PES	1 1/2" PVC True union ball valve SxS	\$36.44
BV6-1501PET	1 1/2" PVC True union ball valve FptxFpt	\$57.20
BV6-2001PES	2" PVC True union ball valve SxS	\$46.44
BV6-2001PET	2" PVC True union ball valve FptxFpt	\$71.76
BV6-2501PES	2 1/2" PVC True union ball valve SxS	\$185.18
BV6-3001PES	3 inch PVC True union ball valve SxS	\$305.20
BV6-3001PET	3 inch PVC True union ball valve FPTxFPT	\$448.62
BV6-4001PES	4" PVC True union ball valve SxS	\$563.28



## Valves-Butterfly

### Part Number

### Description

### List Price

125-861	3 inch PVC/EPDM BUTTERFLY VALVE	\$327.70
125-862	4" PVC/EPDM BUTTERFLY VALVE	\$417.74
125-863	6" PVC/EPDM BUTTERFLY VALVE	\$683.90
125-864	8" PVC/EPDM BUTTERFLY VALVE	\$957.74
125-866	3 inch PVC/VITON BUTTERFLY VALVE	\$644.80
125-867	4" PVC/VITON BUTTERFLY VALVE	\$715.82
125-868	6" PVC/VITON BUTTERFLY VALVE	\$1,031.78
125-869	8" PVC/VITON BUTTERFLY VALVE	\$1,386.48



## Valves-Butterfly



## Valves-Check Valves



<u>Part Number</u>	<u>Description</u>	<u>List Price</u>
25830-150-000	Serviceable Check (Straight),1.5SL	\$84.00
25830-200-000	Serviceable Check(Straight) 2inSL	\$86.22
25830-250-000	2.5" Serviceable Check	\$131.80
25830-350-000	CR Serviceable Check, 1.5in	\$96.60
25830-400-000	CR Serviceable Check, 2in	\$97.25
25830-450-000	Serv CheckValve; 1/4lb; 1.5 S X 2 Spg	\$99.00
25830-500-000	Serv CheckValve; 1/4lb; 2 S X 2.5 Spg	\$93.60
25830-704-000	Serv ChkVlv, 1.5"S/2"SP,Std Style,180dg	\$96.90
25830-714-000	Serv ChkVlv, 2"S/2.5"SP,Std Style,180dg	\$104.70
25830-764-000	Serv ChkVlv, 1.5"S/2"SP,Std Style,90dg	\$97.90
25830-774-000	Serv ChkVlv, 2"S/2.5"SP,Std Style,90dg	\$104.70



25062-159-000	1-1/2" Flapper Swing Check - Clear	\$32.08
25062-209-000	2" Flapper Swing Check - Clear	\$36.20
740152040	4" Flapper Swing Check - Clear	\$325.00
7305	180°, 2" - 2½" Check	\$114.40



3-050	1/2" PVC dbl.union w EPDM O-RINGS S-S	\$61.22
3-075	3/4" PVC dbl.union w EPDM O-RINGS S-S	\$73.40
3-076	3/4" PVC dbl.union w EPDM O-RINGS FPT-FPT	\$77.10
3-100	1" PVC dbl.union w EPDM O-RINGS S-S	\$86.69
3-101	1" PVC dbl.union w EPDM O-RINGS FPT-FPT	\$91.02
3-125	1 1/4" PVC dbl.union w EPDM Oring S-S	\$106.47
3-150	1 1/2" PVC dbl.union w EPDM Oring S-S	\$127.87
3-151	1 1/2" PVC dbl.union w EPDM Oring S-S	\$134.28
3-200	2" PVC dbl.union w EPDM Oring S-S	\$173.40
3-201	2" PVC dbl.union w EPDM Oring FPT-FPT	\$182.06
3-250	2 1/2" PVC dbl.union w EPDM Oring S-S	\$362.35
3-251	2 1/2" PVC dbl.union w EPDM Oring FPT-FPT	\$380.47
3-300	3" PVC dbl.union w EPDM Oring S-S	\$446.80
3-301	3" PVC dbl.union w EPDM Oring FPT-FPT	\$469.14





## Valves-Check Valves

## Valves-Check Valves

**NEW**

<u>Part Number</u>	<u>Description</u>	<u>List Price</u>
152-CVC-025	1 1/2" D. U. Check w 1/4 LB SPRING-CLEAR	\$33.90
152-CVC-050	1 1/2" D. U. Check w 1/2 LB SPRING-CLEAR	\$33.90
152-CVC-200	1 1/2" D. U. Check w 2 LB SPRING-CLEAR	\$33.90
152-CVC-200CR	1 1/2" DU CV w 1/4 LB SPR - CLEAR w TEFLON/VITON	\$43.48
152-CVC-1000	1 1/2" D. U. Check w 10 LB SPRING-CLEAR	\$39.56
202-CVC-025	2" DU Check w 1/4 LB SPRING - CLEAR	\$45.20
202-CVC-050	2" DU Check w 1/2 LB SPRING - CLEAR	\$45.20
202-CVC-050CR	2" DU CV w 1/2 LB SPR - CLEAR w TEFLON/VITON	\$54.30
202-CVC-200	2" DU Check w 2 LB SPRING - CLEAR	\$45.20
202-CVC-200CR	2" DU CV w 2 LB SPR - CLEAR w TEFLON/VITON	\$54.30
202-CVC-1000	2" DU Check w 10 LB SPRING - CLEAR	\$45.20

**NEW**

FCV-2010  
FCV-2090

2 1/2" - 2" FLAPPER Check  
2 1/2" - 2" FLAPPER Check 90 degree

\$52.20  
\$52.20



FCV - 2010

FCV-2010U 2" UNIONIZED Flapper Check Valve \$64.76



## Valves-Check Valves

## Valves-Check Valves

<u>Part Number</u>	<u>Description</u>	<u>List Price</u>
150-CV-025	1 1/2" Single Union Check w 1/4 LB SPRING	\$26.00
150-CVC-025	1 1/2" Single Union Check w 1/4 LB SPRING - CLEAR BODY	\$30.50
150-CV-050	1 1/2" Single Union Check w 1/2 LB SPRING	\$26.00
150-CVC-050	1 1/2" Single Union Check w 1/2 LB SPRING - CLEAR BODY	\$30.50
150-CV-200	1 1/2" Single Union Check w 2 LB SPRING	\$27.14
150-CV-200CR	1 1/2" Single Union Check w 2 LB SPRING - TEFLON/VITON	\$40.20
150-CVC-200	1 1/2" Single Union Check w 2 LB SPRING - CLEAR BODY	\$30.50
150-CVC-200CR	1 1/2" Single Union CV- CLEAR BODY w 2 LB SPRING - TEFLON/VITON	\$44.74
150-CV-350	1 1/2" Single Union Check w 3 1/2 LB SPRING	\$27.14
150-CV-500	1 1/2" Single Union Check w 5 LB SPRING	\$27.14
150-CV-1000	1 1/2" Single Union CHECK VAVLE w 10 LB SPRING	\$27.14
200-CV-025	2" Single Union Check w 1/4 LB SPRING	\$29.96
200-CVC-025	2" Single Union Check w 1/4 LB SPRING - CLEAR BODY	\$34.46
200-CV-050	2" Single Union Check w 1/2 LB SPRING	\$29.96
200-CVC-050	2" Single Union Check w 1/2 LB SPRING - CLEAR BODY	\$34.46
200-CV-200	2" Single Union Check w 2 LB SPRING	\$32.08
200-CV-200CR	2" Single Union Check w 2 LB SPRING - TEFLON/VITON	\$44.74
200-CVC-200	2" Single Union Check w 2 LB SPRING - CLEAR BODY	\$34.46
200-CVC-200CR	2" Single Union CV - CLEAR BODY w 2 LB SPRING - TEFLON/VITON	\$49.26
200-CV-350	2" Single Union Check w 3 1/2 LB SPRING	\$32.08
200-CV-500	2" Single Union Check w 5 LB SPRING	\$32.08
200-CV-1000	2" Single Union Check w 10 LB SPRING	\$32.08

200-CVS-025	2" SLIM LINE Check w 1/4 LB SPRING	\$26.94
200-CVS-050	2" SLIM LINE Check w 1/2 LB SPRING	\$26.94
200-CVS-200	2" SLIM LINE Check w 2 LB SPRING	\$28.82
200-CVS-350	2" SLIM LINE Check w 3 1/2 LB SPRING	\$28.82
200-CVS-500	2" SLIM LINE Check w 5 LB SPRING	\$28.82



## Valves-Wafer Check Valves

## Valves- Wafer Check Valves



<u>Part Number</u>	<u>Description</u>	<u>List Price</u>
129101	2" PVC with SS spring/EPDM seals	\$270.76
129102	2 1/2" PVC with SS spring/EPDM seals	\$285.22
129103	3" PVC with SS spring/EPDM seals	\$307.60
129104	4" PVC with SS spring/EPDM seals	\$339.16
129105	5" PVC with SS spring/EPDM seals	\$432.78
129106	6" PVC with SS spring/EPDM seals	\$566.84
129107	8" PVC with SS spring/EPDM seals	\$889.88
129108	10" PVC with SS spring/EPDM seals	\$1,491.90
129109	12" PVC with SS spring/EPDM seals	\$1,913.08
470-140-E	14" PVC with SS spring/EPDM seals	\$6,377.60
470-160-E	16" PVC with SS spring/EPDM seals	\$12,061.70



3-20-7	2" PVC SPACER	\$70.72
3-25-7	2-1/2" PVC SPACER	\$86.50
3-30-7	3" PVC SPACER	\$118.36
3-40-7	4" PVC SPACER	\$144.46
3-50-7	5" PVC SPACER	\$240.78
3-60-7	6" PVC SPACER	\$240.78
3-80-7	8" PVC SPACER	\$353.14
3-100-7	10" PVC SPACER	\$924.58
3-120-7	12" PVC SPACER	\$1,222.10
3-140-7	14" PVC SPACER	\$5,220.00
3-160-7	16" PVC SPACER	\$7,027.00



## NEW K4 Series Swing Check Valves



No Spacers or Flange Gaskets required

Fits existing Wafer Check+Spacer spacing for retrofits

Position indicator shows flapper status at a glance

Spring load can be changed through position indicator without removing valve

SCV-1030	3" PVC/EPDM seals K4 Swing Check	\$516.72
SCV-1040	4" PVC/EPDM seals K4 Swing Check	\$616.06
SCV-1060	6" PVC/EPDM seals K4 Swing Check	\$842.10
SCV-1080	8" PVC/EPDM seals K4 Swing Check	\$1,695.20
SCV-10100	10" PVC/EPDM seals K4 Swing Check	\$2,468.64
SCV-1030V	3" PVC/VITON seals K4 Swing Check	\$684.20
SCV-1040V	4" PVC/VITON seals K4 Swing Check	\$684.20
SCV-1060V	6" PVC/VITON seals K4 Swing Check	\$705.42
SCV-1080V	8" PVC/VITON seals K4 Swing Check	\$1,809.50
SCV-10100V	10" PVC/VITON seals K4 Swing Check	\$2,687.80





## Valves-Diaphragm

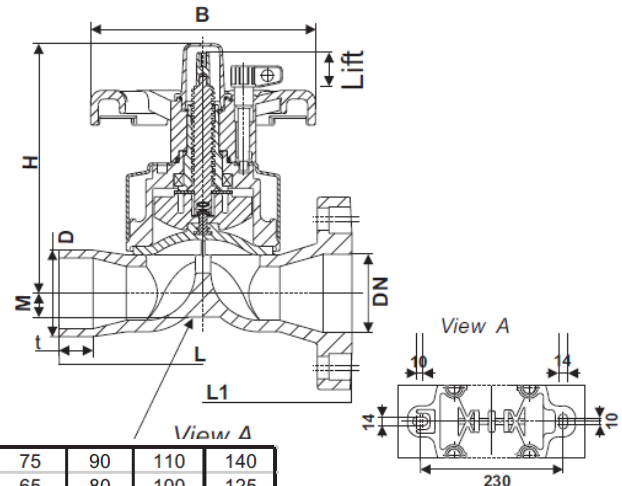
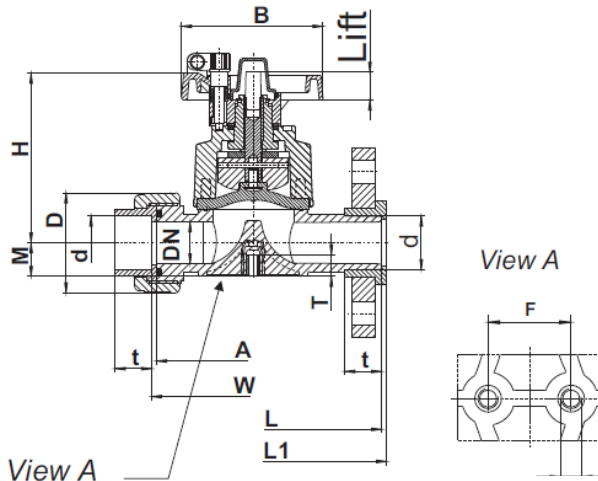
## Valves-Diaphragm

Part Number	Description	List Price
122-905	PVC/EPDM/UNION 1/2"	\$115.20
122-906	PVC/EPDM/UNION 3/4"	\$126.10
122-907	PVC/EPDM/UNION 1"	\$156.90
122-908	PVC/EPDM/UNION 1 1/4"	\$222.20
122-909	PVC/EPDM/UNION 1 1/2"	\$250.34
122-910	PVC/EPDM/UNION 2"	\$298.40
122-911	PVC/VITON/UNION 1/2"	\$219.50
122-912	PVC/VITON/UNION 3/4"	\$230.40
122-913	PVC/VITON/UNION 1"	\$263.96
122-914	PVC/VITON/UNION 1 1/4"	\$371.90
122-915	PVC/VITON/UNION 1 1/2"	\$405.50
122-916	PVC/VITON/UNION 2"	\$514.30
122-926	PVC/TEFLON*/UNION 1/2"	\$232.20
122-927	PVC/TEFLON*/UNION 3/4"	\$243.10
122-928	PVC/TEFLON*/UNION 1"	\$278.50
122-929	PVC/TEFLON*/UNION 1 1/4"	\$393.70
122-930	PVC/TEFLON*/UNION 1 1/2"	\$429.04
122-931	PVC/TEFLON*/UNION 2"	\$541.50



**DN 15 - DN 50**

**DN 65 - DN 80**



d	20	25	32	40	50	63	75	90	110	140
DN	15	20	25	32	40	50	65	80	100	125
G	1/2"	3/4"	1"	1 1/4"	1 1/2"	2"	2 1/2"	3"	4"	5"
M	17,0	17,0	21,0	33,0	33,0	40,3	25,0	25,0	25,0	25,0
H	100,0	100,0	107,0	144,0	144,0	170,0	260,0	260,0	330,0	330,0
B	86,0	86,0	86,0	136,0	136,0	136,0	234,0	234,0	234,0	234,0
D	43,0	53,0	60,0	74,0	83,0	103,0				
F	25,0	25,0	25,0	45,0	45,0	45,0				
Lift	9,0	9,0	11,0	22,0	22,0	28,0	35,0	35,0	45,0	45,0
K	M6	M6	M6	M8	M8	M8				
L	124,0	144,0	154,0	174,0	194,0	224,0	284,0			
L1	130,0	150,0	160,0	180,0	200,0	230,0	300,0	310,0	350,0	400,0
T	12,0	12,0	12,0	15,0	15,0	15,0				
Z	96,0	114,0	122,0	142,0	160,0	190,0				
A	90,0	108,0	116,0	136,0	154,0	184,0				
t	16,0	19,0	22,0	26,0	31,0	38,0	44,0	54,5		
PN	10,0	10,0	10,0	10,0	10,0	10,0	10,0	10,0	10,0	10,0



# HIGH HEAT Diverter Valves



## HIGH HEAT Diverter Valves



OV3 - 1500 - 1.5" I.D. 2" O.D.  
OV3 - 2010 - 2" I.D. 2.5" O.D.



OV2 - 1500 - 1.5" I.D. 2" O.D.  
OV2 - 2010 - 2" I.D. 2.5" O.D.

## HIGH HEAT Diverter Valves C/W Unions



OV3 - 1500U - 1.5" I.D.  
OV3 - 2010U - 2" I.D.



OV2 - 1500U - 1.5" I.D.  
OV2 - 2010U - 2" I.D.

- Position indicator clearly marked OPEN/CLOSED
- Universal spline accepts all popular actuators
- Superior flow rate
- Permanently lubricated rotor seal with extreme wear resistance, exceeds 3000 dry cycle requirement

**MAXIMUM SERVICE SPECIFICATIONS**  
80°C/176°F @ 3.5 BAR/50PSI

705 725 1100

[praherplastics.ca](http://praherplastics.ca)

Praher Plastics Canada Ltd. 101 Saunders Rd. Barrie ON L4N 9A7

**Proudly Made in North America**



## Valves-Diverter Valve

## Valves-Diverter Valve

<u>Part Number</u>	<u>Description</u>	<u>List Price</u>
4717	2" - 2½" Positive Seal, 3 Port NeverLube	\$90.79
OV2-1500	1 1/2" - 2" 2 PORT SKT/SKT	\$43.80
OV2-1500U	1 1/2" 2-PORT, w SOCKET - UNIONS	\$67.68
OV2-1590	1 1/2" - 2" 2-PORT 90 DEGREE SOCKET	\$43.80
OV2-1590U	1 1/2" 2-PORT, 90 DEGREE w SOCKET - unionized	\$67.68
OV2-1593U	1 1/2" 2-PORT, 90 DEGREE w FIP - unionized	\$67.68
OV2-2000	2" - 2 1/2" - 2 PORT SKT, w BUSHINGS	\$47.78
OV2-2010	2" - 2 1/2" 2 PORT SKT/SKT	\$43.80
OV2-2010U	2" 2-PORT w SOCKET - unionized	\$59.70
OV2-2090	2" - 2 1/2" - 2 PORT 90 DEGREE SOCKET	\$43.80
OV2-2090U	2" 2-PORT, 90degree w/socket-unionized	\$67.68
OV2-2093U	2" 2-PORT, 90 DEGREE w FIP - unionized	\$67.68
OV3-1500	1 1/2" - 2" - 3 PORT SOCKET	\$49.70
OV3-1500U	1 1/2" - 3 PORT SOCKET - unionized	\$77.60
OV3-1503	1 1/2" - 3 PORT - 1 1/2" FIP THREADED NPT	\$49.70
OV3-1503U	1 1/2" - 3 PORT - FIP unionized	\$77.60
OV3-15FFMU	1 1/2" 3-PORT FIP X FIP X MIP - unionized	\$89.56
OV3-15SSMU	1 1/2" - 3-PORT SKT X SKT X MIP - unionized	\$89.56
OV3-2000	2" - 2 1/2" - 3 PORT w 1 1/2" BUSHINGS	\$55.70
OV3-2010	2" - 2 1/2" - 3 PORT SOCKET	\$49.70
OV3-2010U	2" - 3 PORT SOCKET - unionized	\$77.60
OV3-20SSMU	2" - 3-PORT SKT X SKT X MIP - unionized	\$99.50
OV3-3000	3 inch 3-PORT SOCKET ENDS (210 GPM)	\$292.70
VF2-2010	2" 2-PORT WITH FLOW INDICATOR HANDLE	\$43.80





## Valves-Gate Valves



<u>Part Number</u>	<u>Description</u>	<u>List Price</u>
100-GATE	1" PVC SKT X SKT	\$15.80
150-GATE	1 1/2" PVC SKT X SKT WHITE	\$15.80
150-GFFT	1 1/2" PVC FIP X FIP WHITE	\$16.20
150-GMFT	1 1/2" PVC MIP X FIP WHITE	\$16.20
150-GMMT	1 1/2" PVC MIP X MIP WHITE	\$15.80
150-HB4PMT	1 1/2" PVC POOL HOSE X 1 1/2" MIP - WHITE	\$16.20
150-HB4PX2	1 1/2" PVC POOL HOSE X 1 1/2" POOL HOSE - WHITE	\$16.20
150-HBMT	1 1/2" PVC HOSE X MIP WHITE	\$16.20
150-HBX2	1 1/2" PVC HOSE X 1 1/2" HOSE - WHITE	\$16.20

150-SLMT	1 1/2" PVC SKT X MIP WHITE	\$16.20
150-SLSP	1 1/2" PVC SKT X SPIGOT WHITE	\$15.80
151-GFFT	1 1/2" PVC FIP X FIP BLACK	\$16.20
151-GMFT	1 1/2" PVC MIP X FIP BLACK	\$16.20
151-SLMT	1 1/2" PVC SKT X MIP BLACK	\$16.20



200-GATE	2" PVC SKT X SKT - WHITE	\$21.00
200-SLSP	2" PVC SKT X SPIGOT - WHITE	\$21.00
200-UNIO	2" PVC w UNION WHITE	\$32.20
210-GATE	2" PVC UNIBODY SKT X SKT	\$18.26
210-GSLSP	2" PVC UNIBODY SKT X SPIGOT	\$18.26
250-GATE	2 1/2" PVC SKT X SKT - WHITE	\$33.40
250-SLSP	2 1/2" PVC SKT X SPIGOT - WHITE	\$33.40
0412-25	2.5" Gate Valve S-Sp	\$33.40
260-GATE	2 1/2" PVC UNIBODY SKT X SKT	\$31.80
260-GSLSP	2 1/2" PVC UNIBODY SKT X SPIGOT	\$31.80
300-GATE	3 inch PVC SKT X SKT - GREY (INCL. SAFETY CLIP)	\$76.90
400-GATE	4" PVC SKT X SKT - GREY (INCL. SAFETY CLIP)	\$103.80



25855-150-000	Slice Valve, 1.5" FIPx1.5" Split Nut,Wht	\$35.60
25855-154-000	Slice Valve, 1.5" FIPx1.5" Split Nut,Blk	\$36.74
25856-154-000	Slice Valve, 1.5"MIP x 1.5"Hose Adpt, Blk	\$20.60
25857-150-000	Slice Valve, 1.5"SplitNut x1.5"HseAdpt,Wh	\$34.80
25857-154-000	Slice Valve, 1.5"SplitNut x1.5"HseAdpt,Blk	\$36.74

