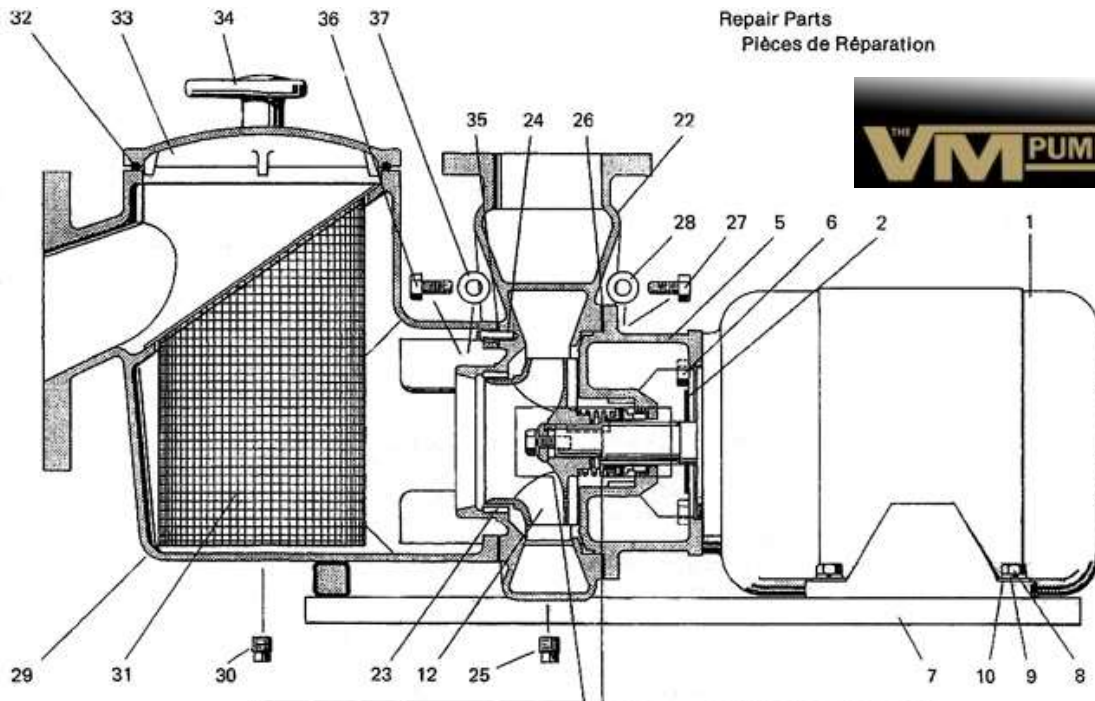




## Pumps-Cast Iron/Bronze-parts

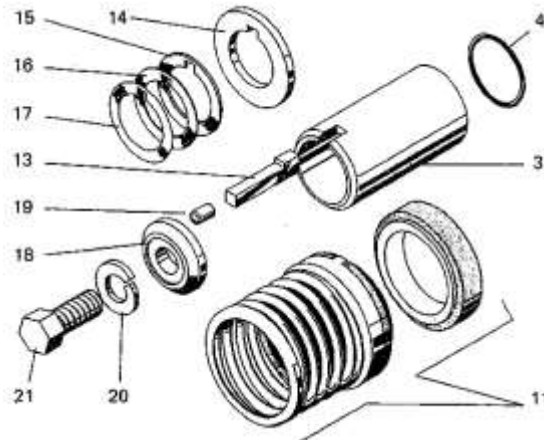
## Pumps-Cast Iron/Bronze-parts



Repair Parts  
Pièces de Réparation



See exploded view at right for identification of parts enclosed in rectangle.  
Voir gros plan à droite pour identifier les pièces renfermées dans le rectangle.



<u>Part Number</u>	<u>Description</u>	<u>List Price</u>
9017-9235	5 HP VM 1/60/230, 184JM Motor only #1 in diagram	\$1,932.25
9017-9243	5 HP VM 3/60/208-230/460, 182JM Motor only #1 in diagram	\$1,604.75
9017-9250	5 HP VM 3/60/575, 182JM Motor only #1 in diagram	\$1,604.75
9010-8697	7.5 HP VM 1/60/230, 213TCZ Motor only #1 in diagram	\$3,301.20
9017-9268	7.5 HP VM 3/60/208-230/460, 184JM Motor only #1 in diagram	\$1,777.67
9017-9276	7.5 HP VM 3/60/575, 184JM Motor only #1 in diagram	\$1,777.67



## Pumps-Cast Iron/Bronze-parts

## Pumps-Cast Iron/Bronze-parts

	<u>Part Number</u>	<u>Description</u>	<u>List Price</u>	
	9017-9723	10 HP VM 1/60/230, 215TCZ Motor only #1 in diagram	\$4,597.92	
	9017-9722	10 HP VM 3/60/208-230/460, 213TCZ Motor only #1 in diagram	\$2,491.20	
	9010-9844	10 HP VM 3/60/575, 213TCZ Motor only #1 in diagram	\$2,491.20	
	22-0727-06	Flinger #2 in diagram	\$15.26	
	02-2500-09	5VMC-S2, T, T5 & 7.5VMC-T, T5- BRACKET - #5 in diagram	\$540.00	
	02-2500-17	5 VMB-S2, T, T5 & 75VMB-T, T5- BRACKET - #5 in diagram	\$777.60	
	02-2510-07	7.5VMC-S2, 10VMC-S2, T, T5- BRACKET - #5 in diagram	\$1,164.96	
	02-2510-15	7.5VMB-S2, 10VMB-S2, T, T5- BRACKET - #5 in diagram	\$1,771.20	
	14-1293-24	Hex Cap Screw 3/8-16 x 7/8"L - 5 & 7.5VM - 4pack - #6 in diagram	\$7.20	
	14-1330-29	Hex Cap Screw 1/2-13 x 1 1/4"L - 10VM - 4pack - #6 in diagram	\$12.67	
	08-0328-07	7.5VMC/B-S2 & 10VMC/B-S2, T, T5 - SLEEVE - #3 in diagram	\$289.44	
	08-1000-00	5VMC/B-S2, T, T5 & 7.5VMC/B-T, T5 - SLEEVE - #3 in diagram	\$264.96	
	47-0022-09	O-Ring 1" x 1-1/8" #4 in diagram	\$2.30	
	10-0369-03	Mechanical Seal Assy. #11 in diagram	\$115.78	
	14-0219-01	Washer #10 in diagram	\$48.24	
	14-2055-04	Shim x .031 #15 in diagram	\$21.46	
	14-2055-12	Shim x .020 #16 in diagram	\$21.46	
	14-2055-20	Shim x .010 #17 in diagram	\$21.46	
	05-8009-09	5VMC - IMPELLER - #12 in diagram	\$630.72	
	05-8009-17	5VMB - - IMPELLER - #12 in diagram	\$786.24	
	05-8010-06	7.5VMC-T, T5 - IMPELLER - #12 in diagram	\$704.16	
	05-8010-14	7.5VMB-T, T5 - IMPELLER - #12 in diagram	\$830.88	
	05-8045-05	7.5VMC-S2 - IMPELLER - #12 in diagram	\$704.16	
	05-8045-13	7.5VMB-S2 - IMPELLER - #12 in diagram	\$830.88	
	05-8046-04	10VMC - IMPELLER - #12 in diagram	\$704.16	
	05-8046-12	10VMB - IMPELLER - #12 in diagram	\$830.88	
	14-0504-13	Adaptor - #18 in diagram	\$72.72	
	14-0382-10	Dowel Pin - #19 in diagram	\$16.14	
	22-0559-09	Gib Key - #13 in diagram	\$27.79	
	14-0722-01	Washer - #14 in diagram	\$1.87	
	14-2493-04	Cap Screw 3/8-16 x 1"L - #21 in diagram	\$8.52	
	03-1906-00	Case w/Wear Ring & Plug: VMC - #22 in diagram	\$1,476.00	
	03-1906-18	Case w/Wear Ring & Plug: VMB - #22 in diagram	\$3,312.00	
	08-1001-09	Wear Ring - #23 in diagram	\$205.92	

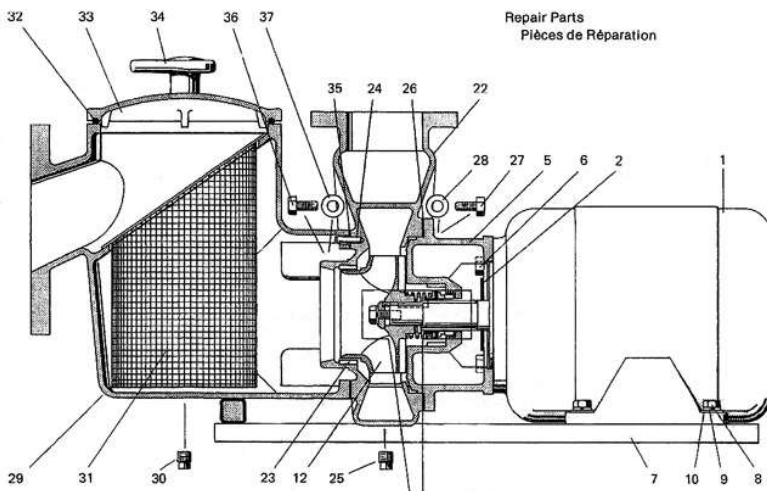


## Pumps-Cast Iron/Bronze-parts

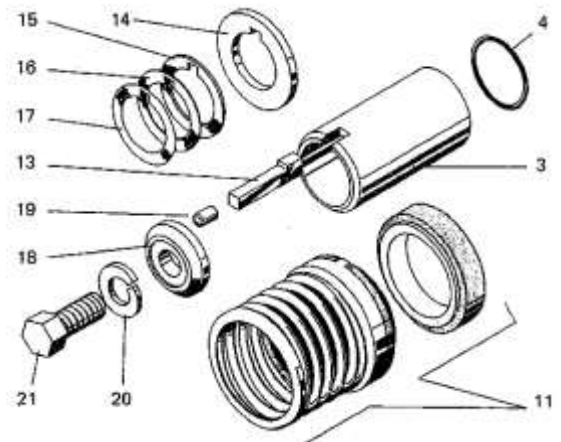
## Pumps-Cast Iron/Bronze-parts

**Part Number****Description****List Price**

Part Number	Description	List Price
31-0059-11	Plug 1/4"NPT - Galvanized VMC - #25 in diagram	\$2.74
31-0059-29	Plug 1/4"NPT - Brass VMB - #25 in diagram	\$5.32
13-0191-04	Gasket - #26 in diagram	\$19.30
14-2015-03	Index Pin - #24 in diagram	\$16.42
13-1223-04	Gasket - #26 in diagram	\$15.55
39-0647-04	Strainer Body: VMC - #29 in diagram	\$1,476.00
39-0647-12	Strainer Body: VMB - #29 in diagram	\$3,168.00
14-0005-09	Grommet - 8/pkg - #28 in diagram	\$40.32
14-1293-16	Hex Cap Screw 3/8-16 x 7/8"L: VMB 8/pkg - #27 in diagram	\$12.96
14-1293-24	Hex Cap Screw 3/8-16 x 7/8"L: VMC 8/pkg - #27 in diagram	\$7.34
16-0707-08	Strainer basket - #31 in diagram	\$630.72
39-0648-03	Strainer Cover: VMC - #33 in diagram	\$185.76
39-0648-11	Strainer Cover: VMB - #33 in diagram	\$437.76
31-0059-11	Plug 1/4"NPT - Galvanized VMC - #30 in diagram	\$2.74
31-0059-29	Plug 1/4"NPT - Brass VMB - #30 in diagram	\$5.32
47-0442-01	O-Ring 7-1/4" x 7-3/4"- #32 in diagram	\$19.32
39-0646-05	Lock Knob Assy. - 2 / Pkg - #34 in diagram	\$81.65
12-0618-00	Base: 5VM, 7.5VM-T - #7 in diagram	\$185.76
12-0618-18	Base: 7.5VM-S2, 10VM - #7 in diagram	\$334.08
14-1294-23	Hex Cap Screw 3/8-16 x 1"L - 4 / Pkg #8 in diagram	\$7.20
14-0722-19	Washer 3/8" - 4 / Pkg - #10 in diagram	\$3.74
KIT-SS	Assy. Kit Includes 3"&4" Flanges and Gaskets. Stainless Steel Bolts, Nuts & Washers.	\$295.20
KIT-ZN	Assy. Kit Includes 3"&4" Flanges and Gaskets. Zinc Bolts, Nuts & Washers.	\$218.88



See exploded view at right for identification of parts enclosed in rectangle.  
Voir gros plan à droite pour identifier les pièces renfermées dans le rectangle.





## Pumps-parts

<u>Part Number</u>	<u>Description</u>	<u>List Price</u>
21021.000	Pump Union 1-1/2"	\$3.66
1213003	PS201 Pump Seal 3/4" Shaft	\$16.60

## Pumps-parts

### Jacuzzi

03-0856-02R	Strainer/Case for Jacuzzi Magnum Pump High Flow	\$238.10
16-1095-06R	Strainer Basket for Jacuzzi Magnum Pump High Flow	\$41.47
184JMMOTOR	5HP 230V sgl phase Motor Only for Jacuzzi Pump	\$1,716.00
39-2579-02R	Strainer Cover for Jacuzzi Magnum Pump - High Flow	\$65.21
42-2828-06R	Strainer Nut for Jacuzzi Magnum Pump - High Flow	\$42.90

### Sta-Rite

C105-226PB	3/4HP Wicor/Starite impeller	\$96.72
C105-238PLA	3HP Impeller for StaRite Pump P4E6H-190L	\$106.98
C1-271P	Diffuser for Sta-Rite Pump	\$43.42
U109-358SS	PS201 3/4" Pump Seal for Dura Glass II	\$9.00
U9-374	Diffuser O'Ring	\$8.58

### Hayward

JO000502	1HP 575V 3 ph motor for Hayward Super Pump	\$786.50
JO001502	1-1/2HP 575V 3ph motor for Hayward Super Pump	\$745.20
JO002402	2HP 208V 3phase motor to fit Hayward Super Pump	\$858.60
JO002802	2HP 575V 3ph pump motor for Hayward Super Pump	\$804.60
K48M2N116	2-1/3hp, 230V, 2-speed, 3450/1725rpm, Model K48M2N116, frame 56J for Hayward Super Pump	\$1,498.50
STS1202R	230V 2-1/3 HP 2 speed motor for Hayward Pump	\$1,525.50