



## BadustreamII

### Part Number

2308000043A



### Description

**PACKAGE A** Two BaduStream II Jets complete with one Speck Pump Model 21-80/33, 4HP, 208-230 Volts, 19A, 400 GPM @ 14 PSI and control box. The most powerful single pump jet system available providing the recreational swimmer with an intermediate level of exercise

### List Price

\$8,422.50



2308000041A

**PACKAGE B** One BaduStream II Jet complete with one Speck Pump Model 21-80/33, 4HP, 208-230 Volts, 18.5A, 270 GPM @ 18 PSI and control box. Same as package A, for swimmers who prefer the economy of single jet operation. Minimum of 4" plumbing required

\$7,402.90

2308000031A

**PACKAGE C** One BaduStream II Jet complete with one Speck Pump Model 72-VI, 3-1/2 HP, 208-230 Volts, 13.5A, 180 GPM @ 12 PSI and control box. Provides a moderate level of exercise for the recreational swimmer. Minimum of 3" plumbing required.

\$5,400.16

2308000246A



**PACKAGE D** Three BaduStream II Jets combined with two Speck Pump Model 21-80/33, 4HP, 208-230 Volts, 19A (each), 700 GPM @ 15 PSI and control box. The most powerful dual pump jet system available providing maximum resistance for the recreational swimmer.

\$17,221.02



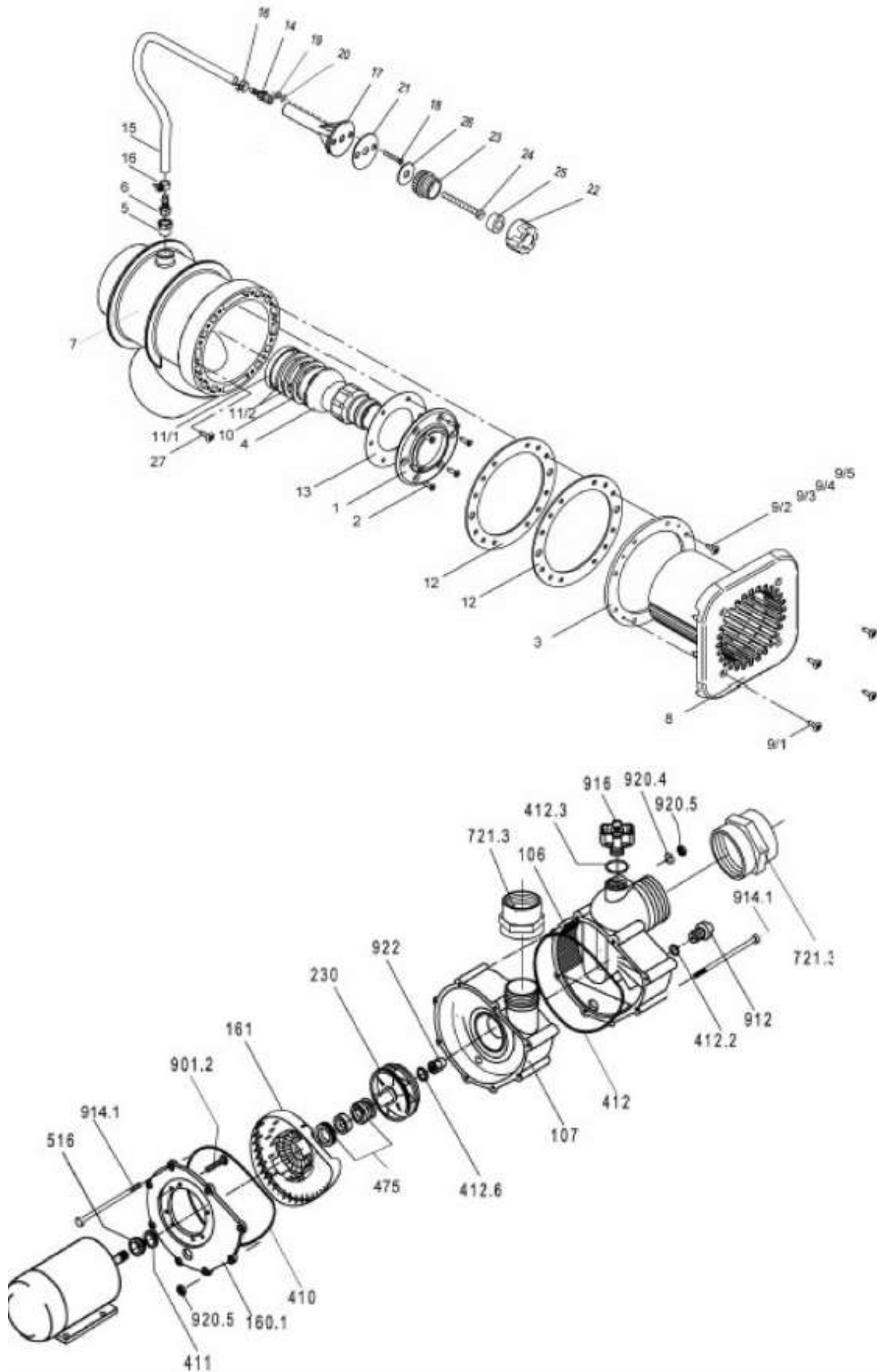
2300003000

MASSAGE HOSE 5' (40MM)

\$296.82

- White, grey or black safety faceplate covers are available
- Can be installed in Vinyl Liner, Concrete or Fiberglass pools on straight walls or curved panels down to an 8' radius
- Pentair Intellitouch, Jandy Aqualink and similar control systems compatible
- Other system configurations available

**See ad on the back cover of this catalogue for more information**





## BadustreamII-Jet parts

## BadustreamII-Jet parts

	<u>Part Number</u>	<u>Description</u>	<u>List Price</u>
<b>See Exploded View on Pg 2</b>	2301001006	Y-SOCKET	\$7.14
	2308002005	COVER PLATE - GUNITE BS	\$8.62
	2308752006K	KIT - WINTER COVER - one per jet	\$52.80
	2306002009	Drawing #1 FACE RING COVER	\$36.42
	5879006020	Drawing#2 Face Ring SCREW K60 X 20mm	\$3.86
	2308762004	Drawing#3 RING -CLAMPING W/BRASS INSERTS	\$29.28
	2302002854	Drawing #4 NOZZLE 40MM ADJUSTABLE	\$34.78
	2308761001	Drawing#7 HOUSING - BADUSTREAM II ABS	\$197.55
	2308750003	Drawing#8 COVER - SQUARE BADUSTREAM II	\$83.54
	2308750003B	Drawing #8 COVER-SQUARE BADUSTREAM II Black	\$83.54
	2308760004B	Drawing #8 COVER-ROUND BADUSTREAM II Black	\$83.54
	2308760004G	Drawing #8 COVER-ROUND BADUSTREAM II Gray	\$83.54
	5879650625	Drawing#8 SCREW M6 X 25 SS A4	\$2.97
	5879650640	Drawing#8 SCREW M6 X 40 A4 PH FLT	\$6.09
	<b>See Exploded View on Pg 2</b>	2302002056	Drawing#10 SEAT-PLASTIC/POM
2302002057		Drawing #11/1 SPACER RUBBER 6.2mm	\$7.88
2302002157		Drawing #11/2 SPACER RUBBER 4mm	\$5.05
2308750005		Drawing#12 GASKET- 190 MM EPDM	\$19.92
2308750006		Drawing#12 - for vinyl liner pool GASKET- BUTTERFLY 190 MM 65SH	\$26.61
2306002013		Drawing #13 Face Ring GASKET- 129 x 73 x 1 mm	\$8.77
2301001005		Drawing#14 SOCKET-HOSE 1/4" PP	\$6.24
2301001007		Drawing#15 HOSE 8 X 3MM BY FT	\$9.96
2301001008		Drawing#16 HOSE CLAMP S14/9 A4 SS	\$6.69
2301001009		Drawing#17 HOLDER-AIR REGULATOR	\$37.31
2301001013		Drawing#21 GASKET- 60 x 11 x 2 mm	\$2.38
2301002000		Drawing#(22-26) AIR REGULATOR-SA	\$70.61
2301002021		Drawing#22 TOP-AIR REGULATOR*WHITE*	\$18.88
2301002029		Drawing#22 TOP-AIR REGULATOR**BLACK**	\$18.88
2301002022		Drawing#23 BOTTOM-AIR REGULATOR*WHITE*	\$13.38
2301002028	Drawing#23 BOTTOM-AIR REGULATOR**BLACK**	\$13.38	
7400000026	Drawing#29 AIR BUTTON #10 WHITE	\$46.38	
7400000062	Drawing#29 BUTTON #10 w/CONCRETE ADAPTOR	\$50.69	

**See  
Exploded  
View on Pg 2**

**See  
Exploded  
View on Pg 2**



## BadustreamII-Pump parts

## BadustreamII-Pump parts

	<u>Part Number</u>	<u>Description</u>	<u>List Price</u>
<b>See Exploded View on Pg 2</b>	0817370201	MOTOR 4HP SF1.25 56PSC 208-230	\$1,758.27
	0818102500	MOTOR 4HP SF1.25 56 230/460 3P	\$1,827.57
	2088332025	21-80/33GS 4HP SF1.25 60HZ PSC Complete pump	\$3,876.71
	2902041252	O-RING- for 4 inch pump union	\$4.31
	2920280701	CONTROL BOX BJC-7 **	\$930.28
	2920280712	CONTROL BOX BJC-7-P2	\$1,227.28
	2923210620	Drawing#106 SUCTION HOUSING 21-80	\$387.53
	2923210722	Drawing#107 DISCHARGE HSNG. 21-80	\$401.20
	2923116100	Drawing#161 HOUSING-SEAL 21-80	\$116.84
	2923141000	Drawing#410 Gasket-SEAL housing 21-80	\$53.51
	2923141240	Drawing#411 SHAFT WASHER 14/22	\$1.19
	2920343310	Drawing#475 SEAL-MECHANICAL 20mm	\$71.50
	2923151601	Drawing#516 V-RING 18MM	\$11.30
	2500200900	Drawing #721 UNION PKG HALF 4" CPL 21-80	\$146.86
	2923190120	Drawing#901.2 SCREW-MACH M8 -1.25 x 16 HEX	\$2.08
	2923591200	Drawing#912 PLUG 1/4" 21-80 GS & BS	\$6.84
	2922091600	Drawing#916 FILLER PLUG RED 3/4"	\$13.38
2923116010	Drawing#160.1 ALUMINUM FLANGE	\$203.35	
2923223013	Drawing#230.6 IMPELLER 3HP SF 1.15 106-122/20 mm	\$108.11	
2923223014	Drawing#230.7 IMPELLER 4HP SF 1.25 113-122/20mm	\$108.11	
2923223035	Drawing#230.8 IMPELLER 6 HP SF 1.0 120-122/19 M12	\$108.11	
2923541220	Drawing#412.2 O-RING- 12 x 2.5 mm	\$0.74	
2923241231	Drawing#412.3 O-RING- 24 x 3.5 mm	\$1.04	
2923541229	Drawing#412.6 O-RING 16.9 x 2.75 VITON	\$6.09	
2500223433	Drawing#721.3 ADAPTOR- 2-3/4 x 3" NPT 4"OD unique to 21-80/GS prior to March 2008	\$103.01	
<b>See Exploded View on Pg 2</b>	2923241200	Drawing#912 O-RING- 210 x 4 mm	\$21.55
	2923291000	Drawing#914.1 BOLT M6 X 170MM SS	\$20.51
	2991400024	Drawing#920.4 WASHER-FLAT 1/4" USS	\$0.45
	2923592200	Drawing#922 IMPELLER NUT-M12 CAP PLASTIC	\$19.32
	951036-000	#10 Air Button - Grey	\$36.83
951040-000	#10 'Power Touch' Air Button - white	\$21.64	
951047-000	#10 Air Button - Black	\$35.54	

**See  
Exploded  
View on Pg 2**

**See  
Exploded  
View on Pg 2**