



BadustreamII

Part Number

2308000043A



Description

PACKAGE A Two BaduStream II Jets complete with one Speck Pump Model 21-80/33, 4HP, 208-230 Volts, 19A, 400 GPM @ 14 PSI and control box. The most powerful single pump jet system available providing the recreational swimmer with an intermediate level of exercise

List Price

\$8,780.00



2308000041A

PACKAGE B One BaduStream II Jet complete with one Speck Pump Model 21-80/33, 4HP, 208-230 Volts, 18.5A, 270 GPM @ 18 PSI and control box. Same as package A, for swimmers who prefer the economy of single jet operation. Minimum of 4" plumbing required

\$7,720.80

2308000031A

PACKAGE C One BaduStream II Jet complete with one Speck Pump Model 72-VI, 3-1/2 HP, 208-230 Volts, 13.5A, 180 GPM @ 12 PSI and control box. Provides a moderate level of exercise for the recreational swimmer. Minimum of 3" plumbing required.

\$5,626.80

2308000246A



PACKAGE D Three BaduStream II Jets combined with two Speck Pump Model 21-80/33, 4HP, 208-230 Volts, 19A (each), 700 GPM @ 15 PSI and control box. The most powerful dual pump jet system available providing maximum resistance for the recreational swimmer.

\$17,652.00



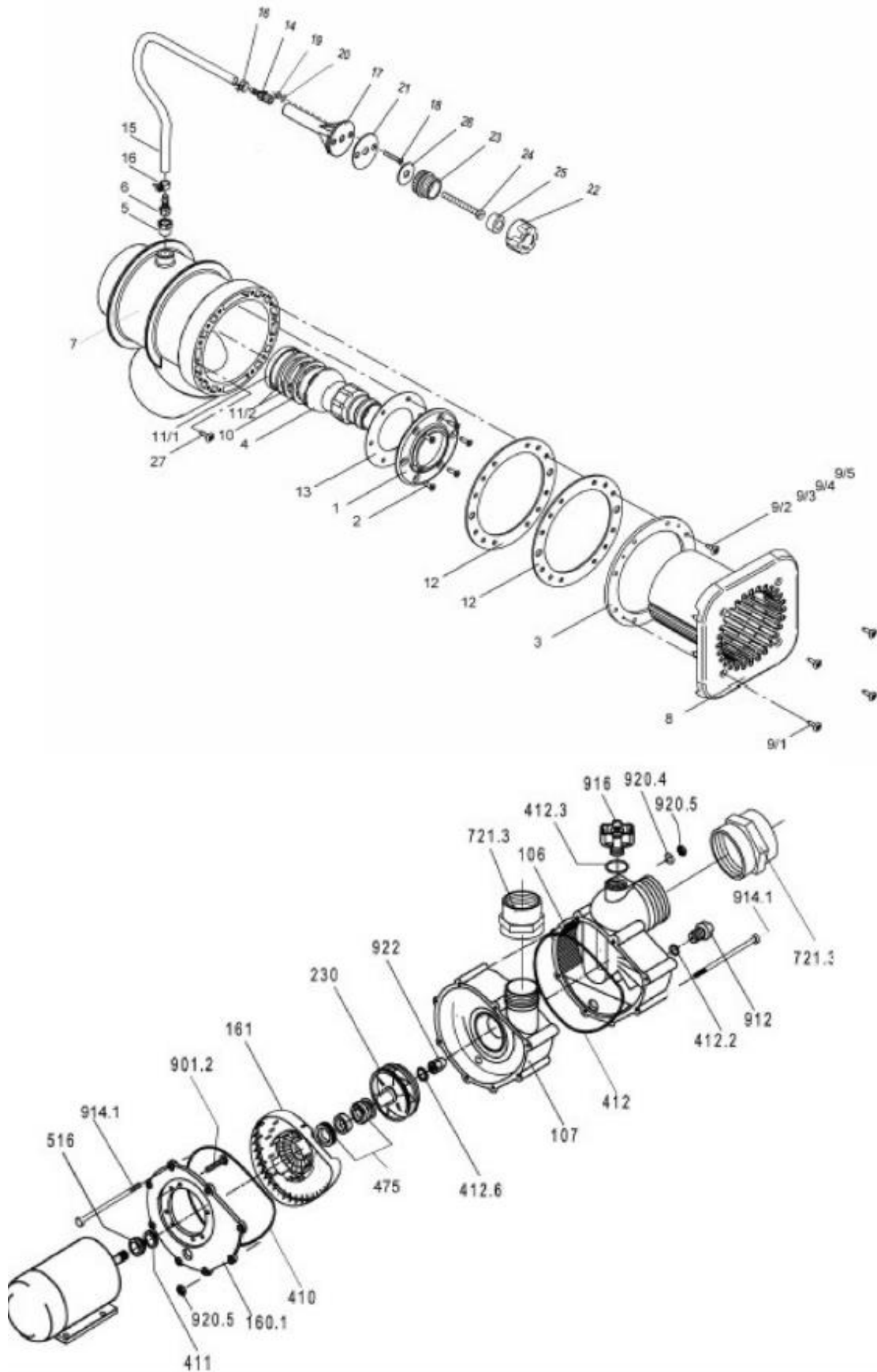
2300003000

MASSAGE HOSE 5' (40MM)

\$296.82

- White, grey or black safety faceplate covers are available
- Can be installed in Vinyl Liner, Concrete or Fiberglass pools on straight walls or curved panels down to an 8' radius
- Pentair Intellitouch, Jandy Aqualink and similar control systems compatible
- Other system configurations available

See ad on the back cover of this catalogue for more information





BadustreamII-Jet parts

BadustreamII-Jet parts

	<u>Part Number</u>	<u>Description</u>	<u>List Price</u>
See Exploded View on Pg 2	2301001006	Y-SOCKET	\$11.89
	2308002005	COVER PLATE - GUNITE BS	\$19.23
	2308752006K	KIT - WINTER COVER - one per jet	\$70.86
	2306002009	Drawing #1 FACE RING COVER	\$60.05
	5879006020	Drawing#2 Face Ring SCREW K60 X 20mm	\$6.54
	2308762004	Drawing#3 RING -CLAMPING W/BRASS INSERTS	\$48.76
	2302002854	Drawing #4 NOZZLE 40MM ADJUSTABLE	\$57.87
	2308761001	Drawing#7 HOUSING - BADUSTREAM II ABS	\$327.42
	2308750003	Drawing#8 COVER - SQUARE BADUSTREAM II	\$120.13
	2308750003B	Drawing #8 COVER-SQUARE BADUSTREAM II Black	\$120.13
	2308760004B	Drawing #8 COVER-ROUND BADUSTREAM II Black	\$120.13
	2308760004G	Drawing #8 COVER-ROUND BADUSTREAM II Gray	\$120.13
	5879650625	Drawing#8 SCREW M6 X 25 SS A4	\$4.56
	5879650640	Drawing#8 SCREW M6 X 40 A4 PH FLT	\$5.55
	See Exploded View on Pg 2	2302002056	Drawing#10 SEAT-PLASTIC/POM
2302002057		Drawing #11/1 SPACER RUBBER 6.2mm	\$13.28
2302002157		Drawing #11/2 SPACER RUBBER 4mm	\$8.52
2308750005		Drawing#12 GASKET- 190 MM EPDM	\$32.90
2308750006		Drawing#12 - for vinyl liner pool GASKET-BUTTERFLY 190 MM 65SH	\$38.38
2306002013		Drawing #13 Face Ring GASKET- 129 x 73 x 1 mm	\$14.67
2301001005		Drawing#14 SOCKET-HOSE 1/4" PP	\$10.31
2301001007		Drawing#15 HOSE 8 X 3MM BY FT	\$16.45
2301001008		Drawing#16 HOSE CLAMP S14/9 A4 SS	\$11.30
2301001009		Drawing#17 HOLDER-AIR REGULATOR	\$61.84
2301001013		Drawing#21 GASKET- 60 x 11 x 2 mm	\$3.96
2301002000		Drawing#(22-26) AIR REGULATOR-SA	\$117.13
2301002021		Drawing#22 TOP-AIR REGULATOR*WHITE*	\$31.51
2301002029		Drawing#22 TOP-AIR REGULATOR**BLACK**	\$31.51
2301002022		Drawing#23 BOTTOM-AIR REGULATOR*WHITE*	\$22.59
2301002028	Drawing#23 BOTTOM-AIR REGULATOR**BLACK**	\$22.59	
7400000026	Drawing#29 AIR BUTTON #10 WHITE	\$77.10	
7400000062	Drawing#29 BUTTON #10 w/CONCRETE ADAPTOR	\$83.84	

**See
Exploded
View on Pg 2**

**See
Exploded
View on Pg 2**



BadustreamII-Pump parts

BadustreamII-Pump parts

	<u>Part Number</u>	<u>Description</u>	<u>List Price</u>
See Exploded View on Pg 2	0817370201	MOTOR 4HP SF1.25 56PSC 208-230	\$2,707.57
	0818102500	MOTOR 4HP SF1.25 56 230/460 3P	\$2,814.59
	2088332025	21-80/33GS 4HP SF1.25 60HZ PSC Complete pump	\$4,482.19
	2902041252	O-RING- for 4 inch pump union	\$7.33
	2920280701	CONTROL BOX BJC-7 **	\$1,123.78
	2920280712	CONTROL BOX BJC-7-P2	\$1,483.61
	2923210620	Drawing#106 SUCTION HOUSING 21-80	\$642.36
	2923210722	Drawing#107 DISCHARGE HSNG. 21-80	\$665.35
	2923116100	Drawing#161 HOUSING-SEAL 21-80	\$193.44
	2923141010	Drawing#410 Gasket-SEAL housing 21-80	\$65.21
	2923141240	Drawing#411 SHAFT WASHER 14/22	\$1.98
	2920343310	Drawing#475 SEAL-MECHANICAL 20mm	\$110.20
	2923151601	Drawing#516 V-RING 18MM	\$18.83
	2500200900	Drawing #721 UNION PKG HALF 4" CPL 21-80	\$237.04
	2923190120	Drawing#901.2 SCREW-MACH M8 -1.25 x 16 HEX	\$3.57
	2923591200	Drawing#912 PLUG 1/4" 21-80 GS & BS	\$11.50
	2922091600	Drawing#916 FILLER PLUG RED 3/4"	\$22.59
	2923116010	Drawing#160.1 ALUMINUM FLANGE	\$337.13
	2923223013	Drawing#230.6 IMPELLER 3HP SF 1.15 106-122/20 mm	\$166.68
	2923223014	Drawing#230.7 IMPELLER 4HP SF 1.25 113-122/20mm	\$166.68
2923223035	Drawing#230.8 IMPELLER 6 HP SF 1.0 120-122/19 M12	\$166.68	
2923541220	Drawing#412.2 O-RING- 12 x 2.5 mm	\$1.39	
2923241231	Drawing#412.3 O-RING- 24 x 3.5 mm	\$1.78	
2923541229	Drawing#412.6 O-RING 16.9 x 2.75 VITON	\$9.91	
2500223433	Drawing#721.3 ADAPTOR- 2-3/4 x 3" NPT 4"OD unique to 21-80/GS prior to March 2008	\$170.45	
See Exploded View on Pg 2	2923241200	Drawing#912 O-RING- 210 x 4 mm	\$13.28
	2923291000	Drawing#914.1 BOLT M6 X 170MM SS	\$34.09
	2991400024	Drawing#920.4 WASHER-FLAT 1/4" USS	\$0.99
	2923592200	Drawing#922 IMPELLER NUT-M12 CAP PLASTIC	\$32.11
	951036-000	#10 Air Button - Grey	\$64.46
	951040-000	#10 'Power Touch' Air Button - white	\$64.46
	951047-000	#10 Air Button - Black	\$64.46

**See
Exploded
View on Pg 2**

**See
Exploded
View on Pg 2**